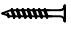





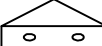
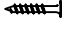
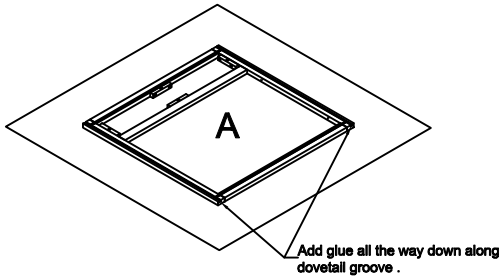


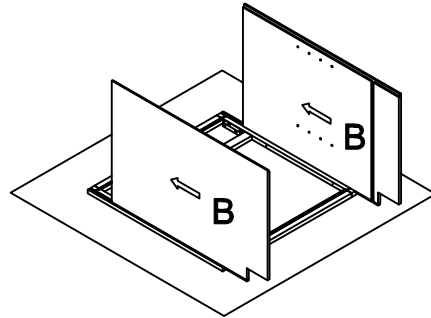
Base Cabinet Assembly Instruction (Item:SB24-SB48/V2421-V3621)

Hard Ware List	1 6PCS Ø4×25mm	2 8PCS Ø4×16mm	3 4PCS Ø4×19mm	4 4PCS 1-1/4"	5 40PCS Ø4×12mm	6 10PCS	9 4PCS 60°60°18	10 12PCS Ø4×22mm				
	Flat head screw	Flat head screw	Round head screw	Hinge	Flat head screw	Corner brackets	Corner block	Flat head screw				
												
Cabinet Parts List	A	Frame	B	Side panels(2)	C	Bottom panel	D	Back panel	E	Toe kick	G	Door(2)
	H	Drawer front										

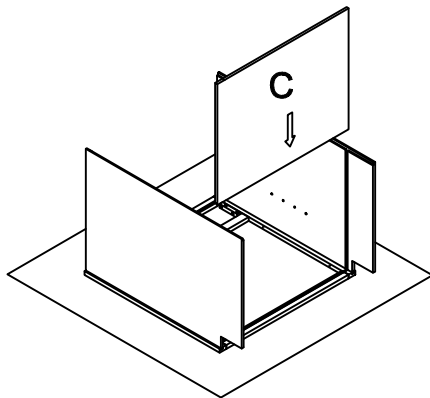
Step1:



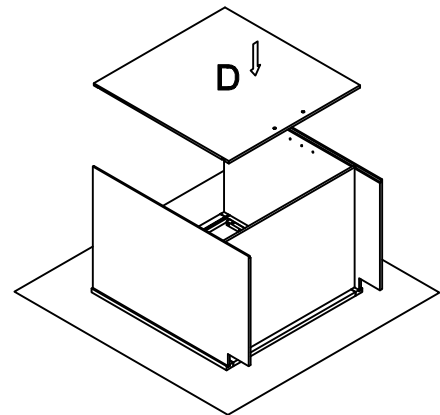
Step2:



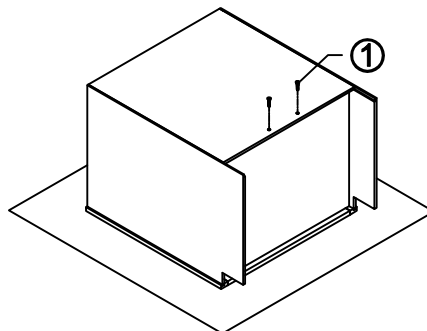
Step3:



Step4:



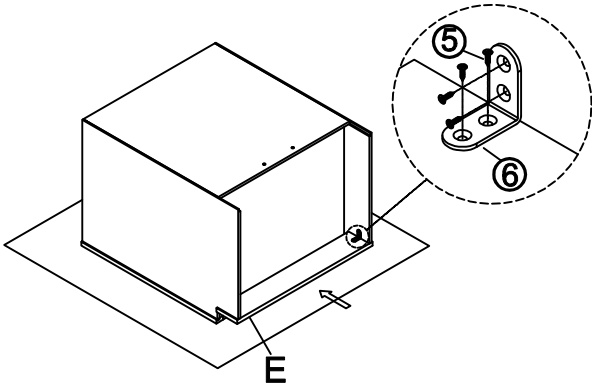
Step5:



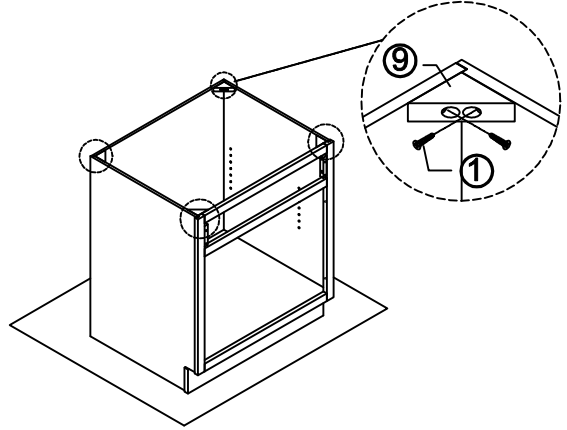
Base Cabinet Assembly Instruction (Item: SB33-SB42 / V2421-V36)

Hard Ware List	1 6PCS Ø4×25mm	2 8PCS Ø4×16mm	3 4PCS Ø4×19mm	4 4PCS 1-1/4"	5 40PCS Ø4×12mm	6 10PCS	9 4PCS 60°60°18	10 12PCS Ø4×22mm				
	Flat head screw	Flat head screw	Round head screw	Hinge	Flat head screw	Corner brackets	Corner block	Flat head screw				
Cabinet Parts List	A	Frame	B	Side panels(2)	C	Bottom panel	D	Back panel	E	Toe kick	G	Door(2)
	H	Drawer front										

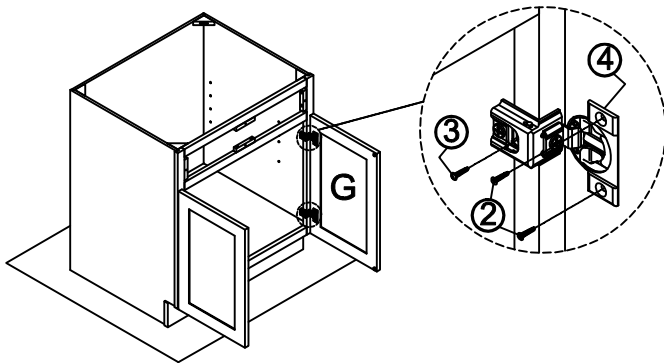
Step6:



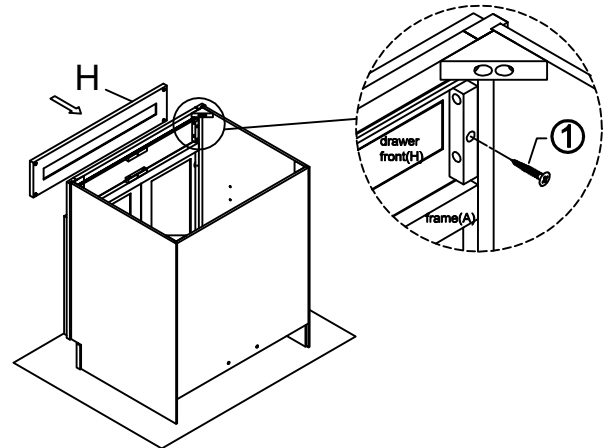
Step7:



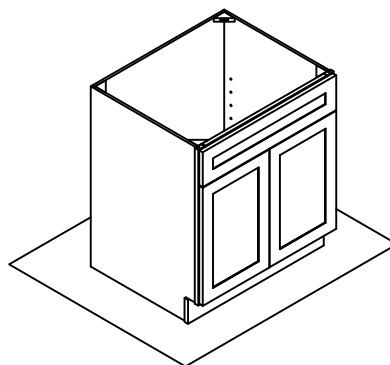
Step8:



Step9:



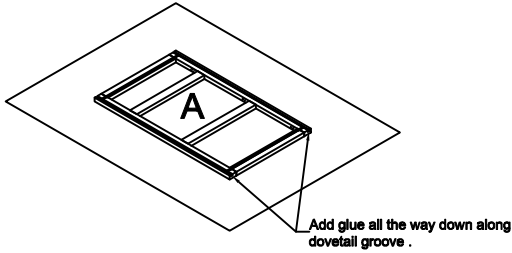
Step10:



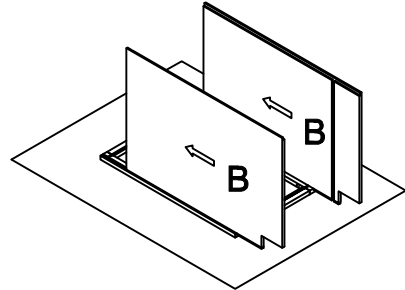
Base Cabinet Assembly Instruction (Item: DB12-DB36 VDB1221-3 -VDB2121-3)

Hard Ware List	1 10PCS Ø4×25mm	5 16PCS Ø4×12mm	6 4PCS	8 3SET	9 4PCS 60°60°18	10 12PCS Ø4×22mm						
	Flat head screw	Flat head screw	Corner brackets	Slide	Corner block	Flat head screw						
Cabinet Parts List	A	Frame	B	Side panels(2)	C	Bottom panel	D	Back panel	E	Toe kick	H	Drawer front(3)
	I	Drawer front panel (3)	J	Drawer back panel (3)	K	Drawer side panel(6)	L	Drawer bottom panel (3)				

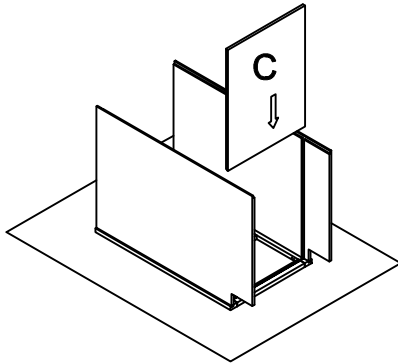
Step1:



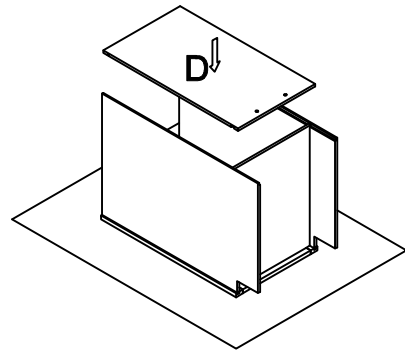
Step2:



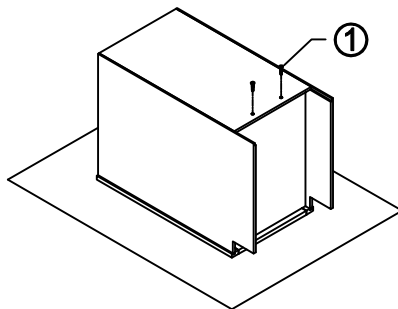
Step3:



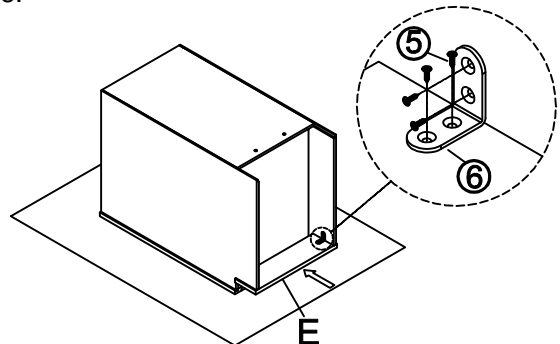
Step4:



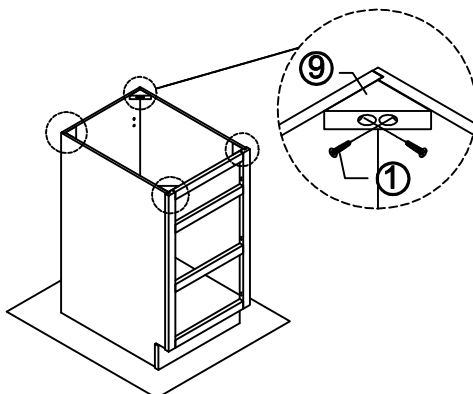
Step5:



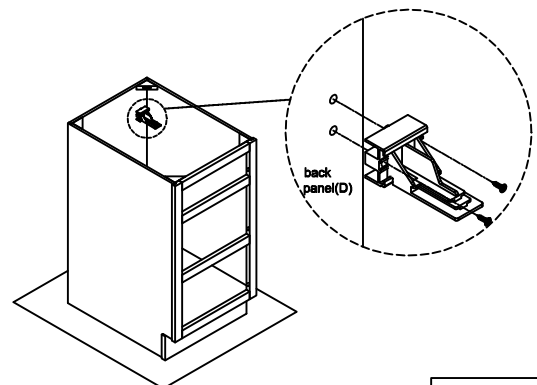
Step6:



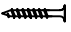




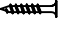
Step7:



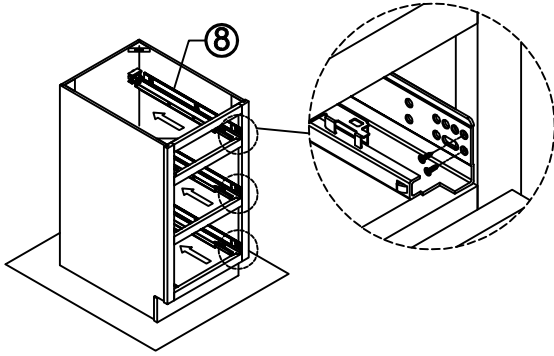
Step8:



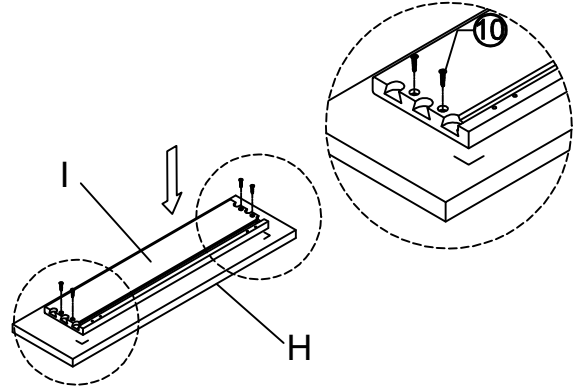
Base Cabinet Assembly Instruction (Item:DB12-DB36/VDB1221-3-VDB3621-3)

Hard Ware List	1 10PCS Ø4×25mm	5 16PCS Ø4×12mm	6 4PCS	8 3SET	9 4PCS 60°60°18	10 12PCS Ø4×22mm						
	Flat head screw	Flat head screw	Corner brackets	Slide	Corner block	Flat head screw						
												
Cabinet Parts List	A	Frame	B	Side panels(2)	C	Bottom panel	D	Back panel	E	Toe kick	H	Drawer front(3)
	I	Drawer front panel (3)	J	Drawer back panel (3)	K	Drawer side panel(6)	L	Drawer bottom panel (3)				

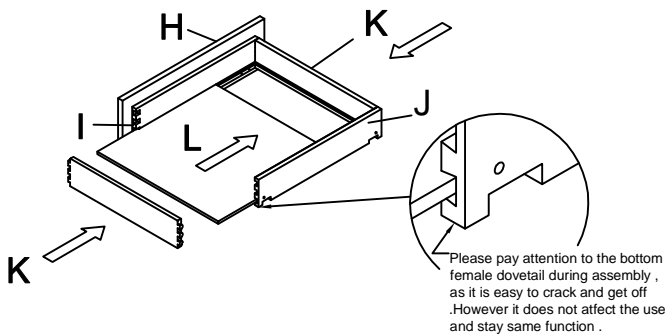
Step9:



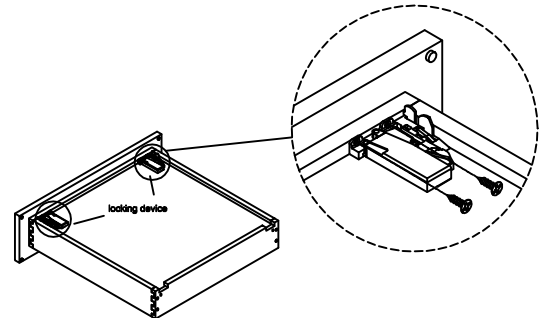
Step10:



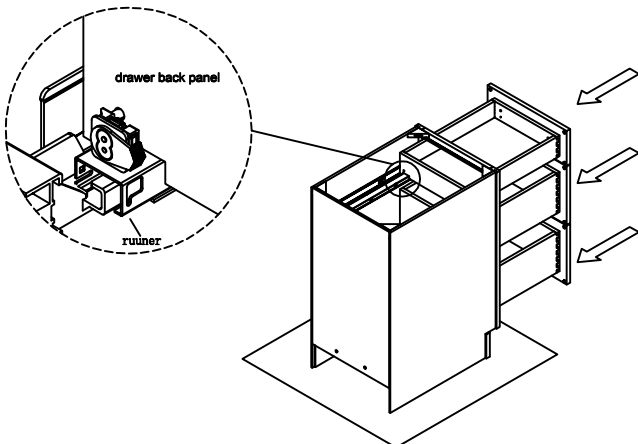
Step11:



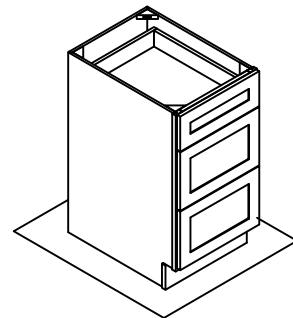
Step12:



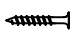








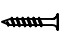
Step13:



Step14:

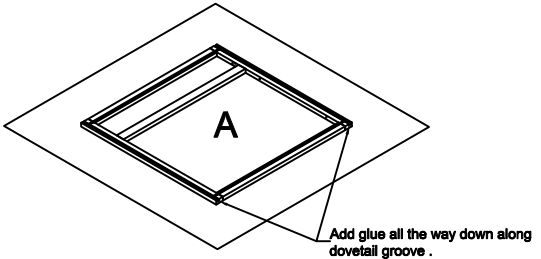


Base Cabinet Assembly Instruction (Item: B24-B33)

Hard Ware List	1 10PCS Ø4×25mm	2 8PCS Ø4×16mm	3 4PCS Ø4×19mm	4 4PCS 1-1/4"	5 16PCS Ø4×12mm	6 4PCS	7 4PCS Ø8mm	8 1SET
	Flat head screw	Flat head screw	Round head screw	Hinge	Flat head screw	Corner brackets	Shelf clips	Side
								
9 4PCS 60°60°18	10 6PCS Ø4×22mm							
Corner block	Flat head screw							
								

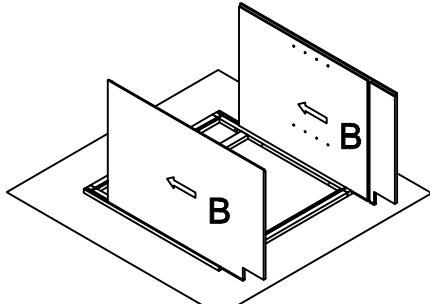
Cabinet Parts List	A	Frame	B	Side panels(2)	C	Bottom panel	D	Back panel	E	Toe kick	F	Adjustable shelf
	G	Door	H	Drawer front	I	Drawer front panel	J	Drawer back panel	K	Drawer side panel(2)	L	Drawer bottom panel

Step1:

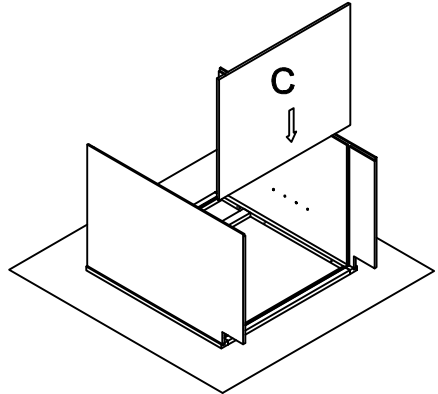


Add glue all the way down along dovetail groove .

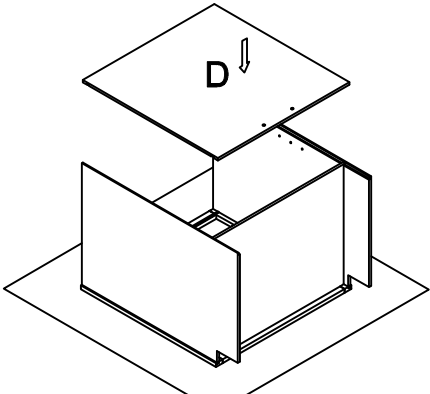
Step2:



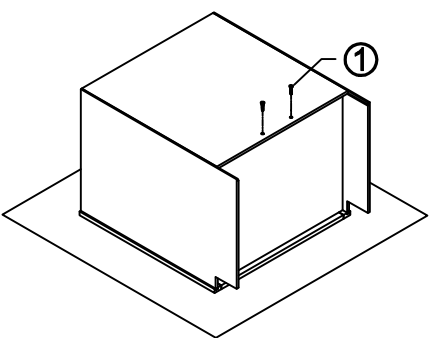
Step3:



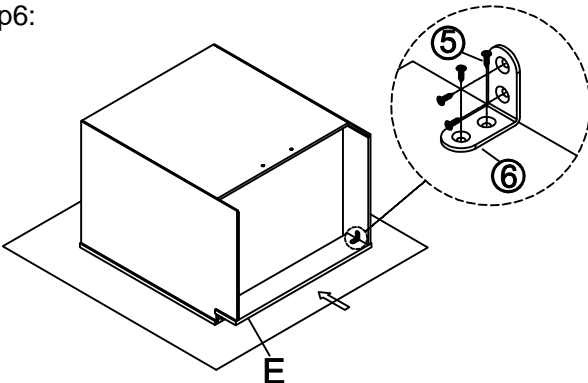
Step4:



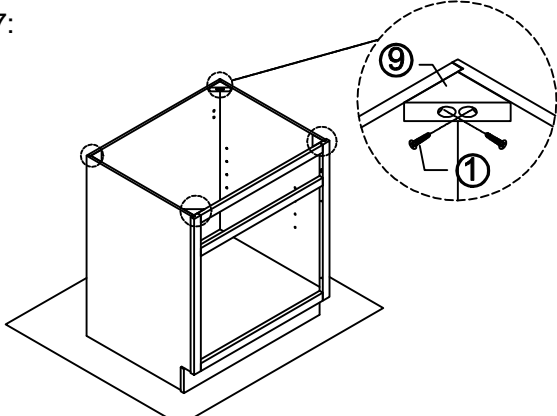
Step5:



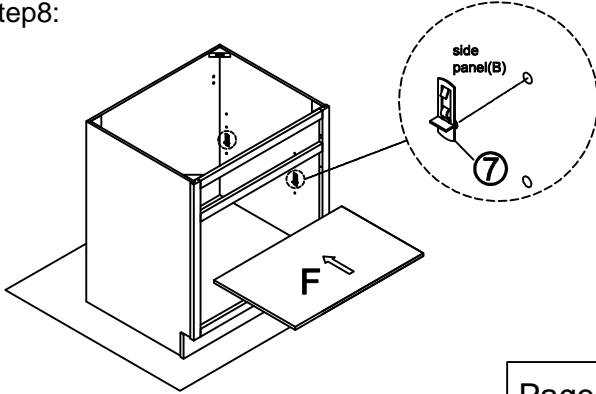
Step6:



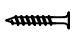








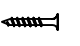
Step7:



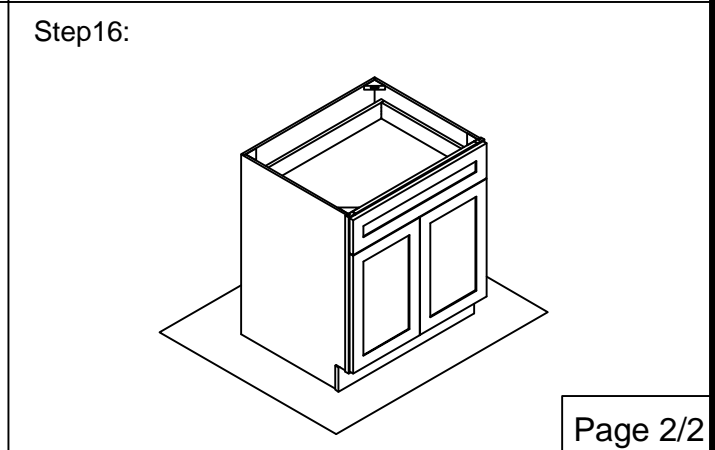
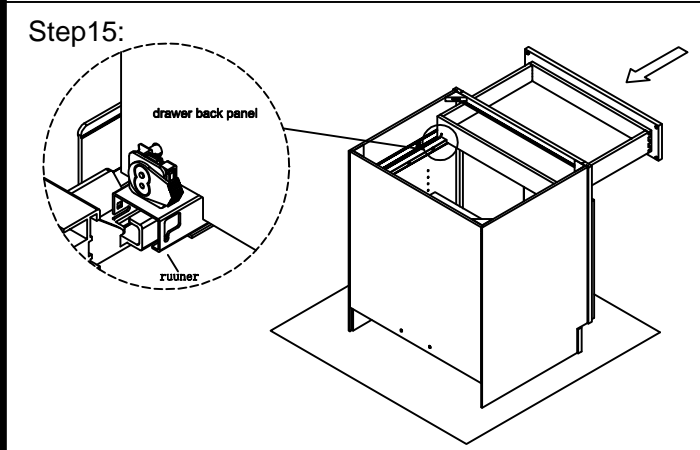
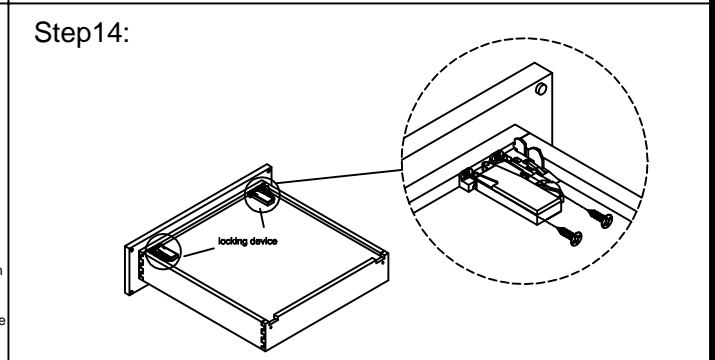
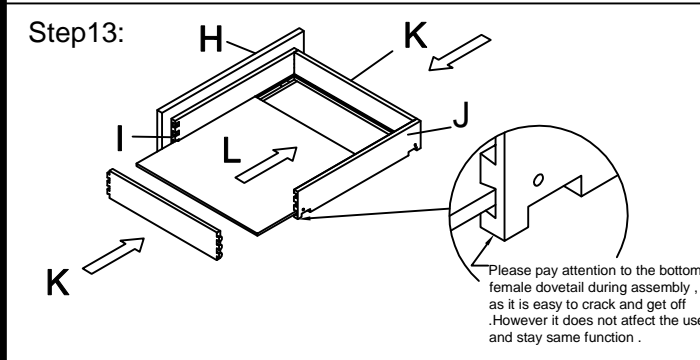
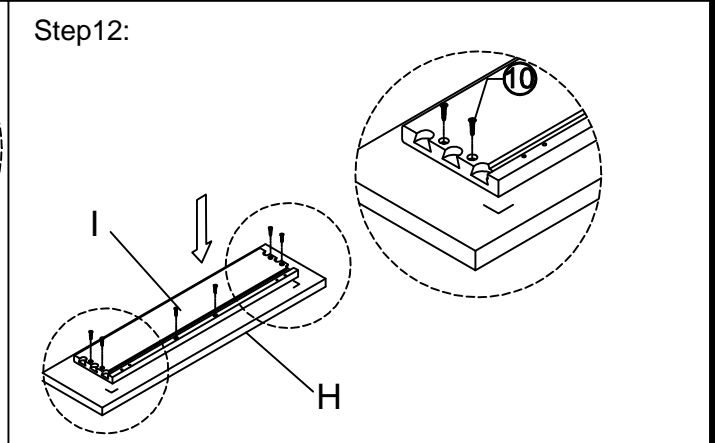
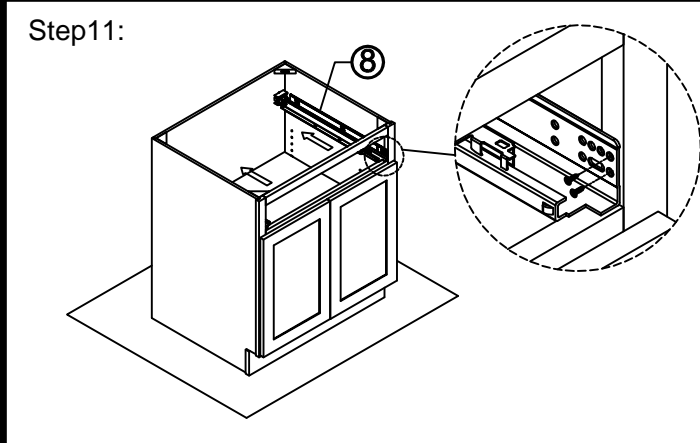
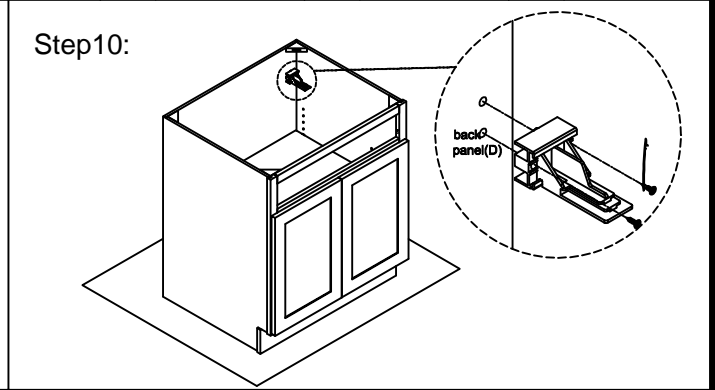
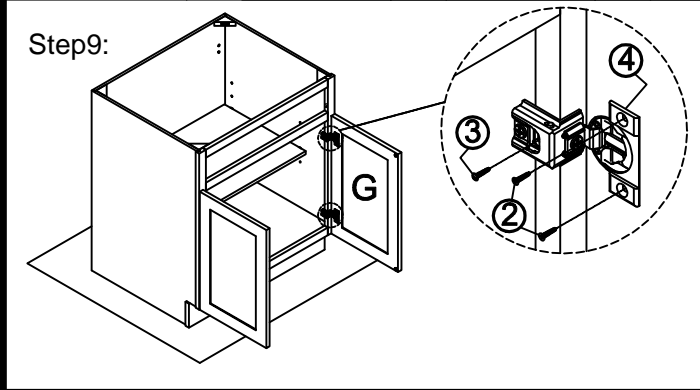
Step8:



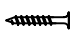








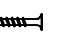
Base Cabinet Assembly Instruction (Item: B24-B33)

Hard Ware List	1 10PCS Ø4×25mm	2 8PCS Ø4×16mm	3 4PCS Ø4×19mm	4 4PCS 1-1/4"	5 16PCS Ø4×12mm	6 4PCS	7 4PCS Ø8mm	8 1SET
	Flat head screw	Flat head screw	Round head screw	Hinge	Flat head screw	Corner brackets	Shelf clips	Side
								
9 4PCS 60°60°18	10 6PCS Ø4×22mm							
Corner block	Flat head screw							
								

Cabinet Parts List	A	Frame	B	Side panels(2)	C	Bottom panel	D	Back panel	E	Toe kick	F	Adjustable shelf
	G	Door	H	Drawer front	I	Drawer front panel	J	Drawer back panel	K	Drawer side panel(2)	L	Drawer bottom panel

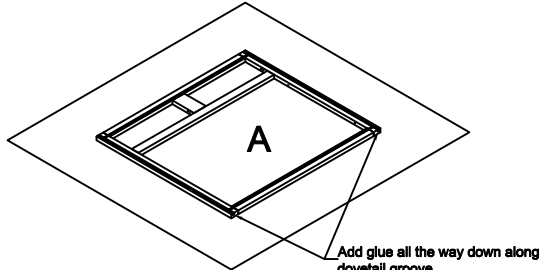


Base Cabinet Assembly Instruction (Item: B36)

Hard Ware List	1 10PCS Ø4×25mm	2 8PCS Ø4×16mm	3 4PCS Ø4×19mm	4 4PCS 1-1/4"	5 16PCS Ø4×12mm	6 4PCS	7 4PCS Ø8mm	8 2SET
	Flat head screw	Flat head screw	Round head screw	Hinge	Flat head screw	Corner brackets	Shelf clips	Side
								
9 4PCS 60°60°18	10 8PCS Ø4×22mm							
Corner block	Flat head screw							
								

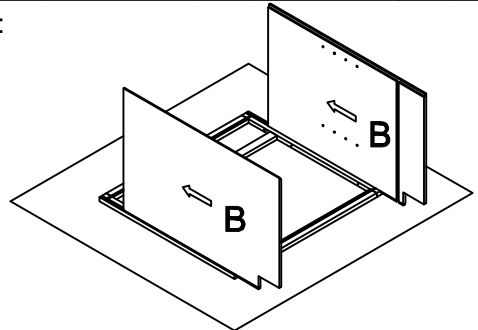
Cabinet Parts List	A	Frame	B	Side panels(2)	C	Bottom panel	D	Back panel	E	Toe kick	F	Adjustable shelf
	G	Door	H	Drawer front	I	Drawer front panel	J	Drawer back panel	K	Drawer side panel(2)	L	Drawer bottom panel

Step1:

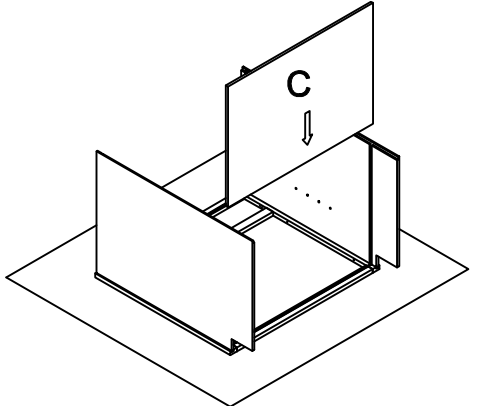


Add glue all the way down along dovetail groove .

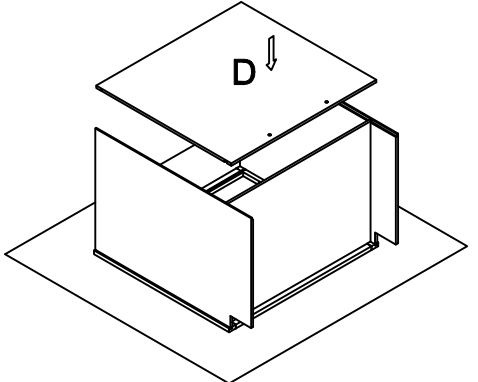
Step2:



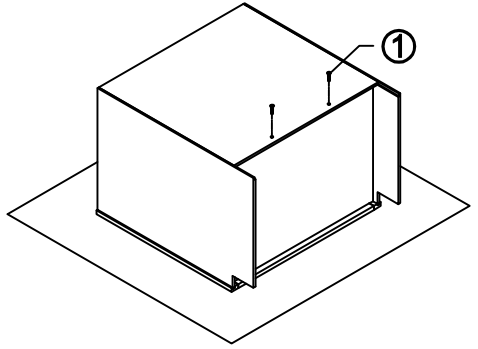
Step3:



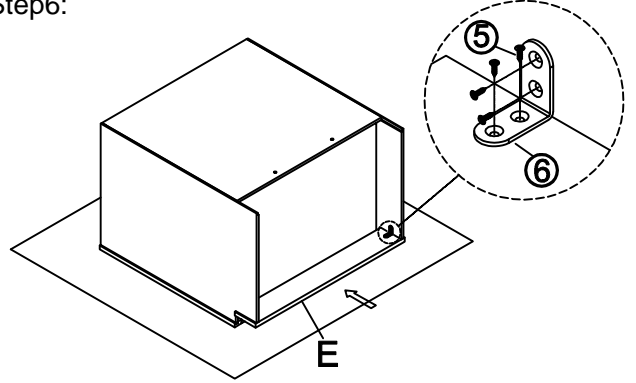
Step4:



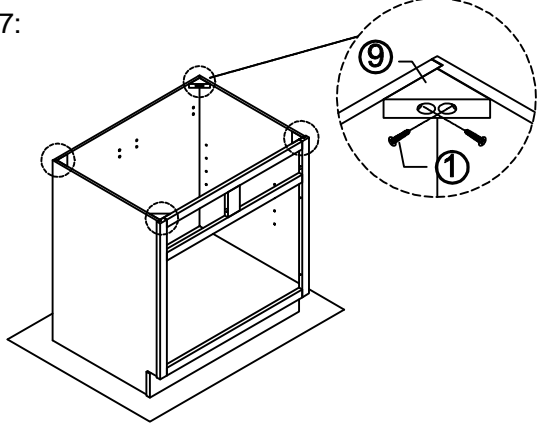
Step5:



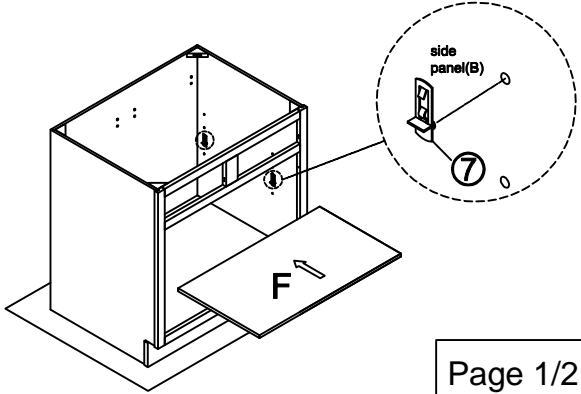
Step6:



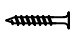





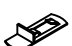


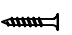
Step7:



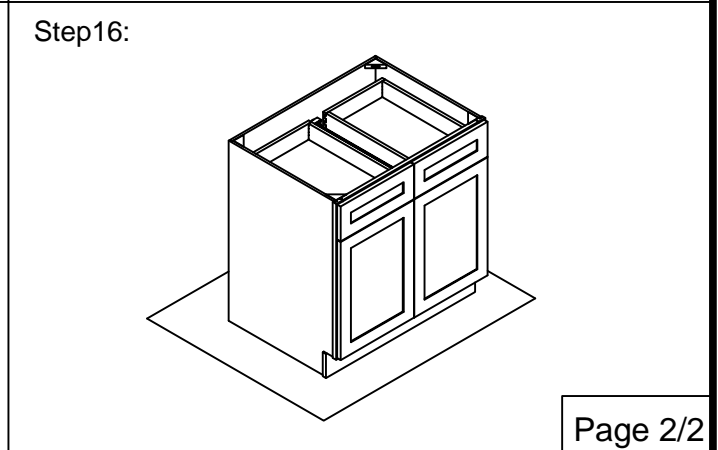
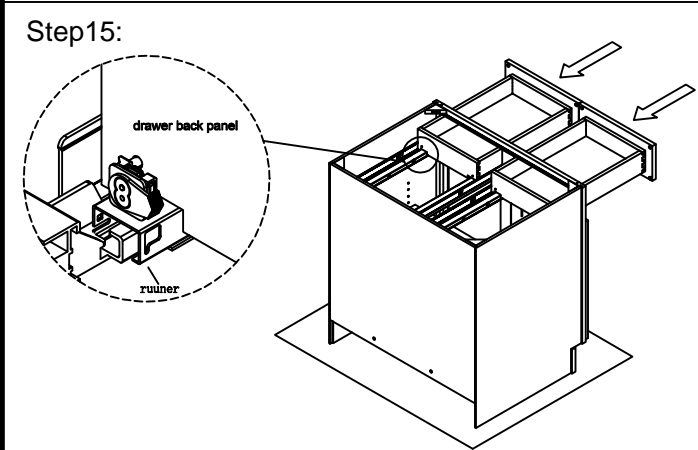
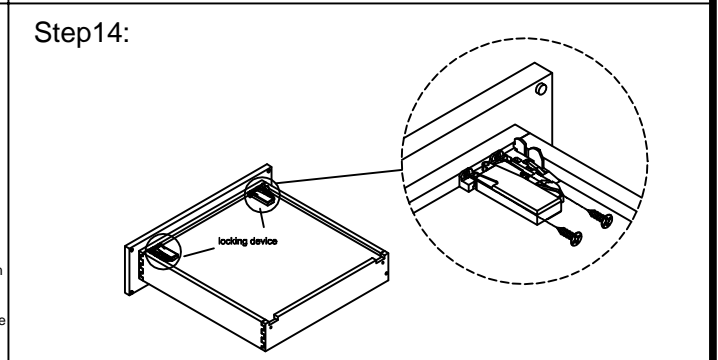
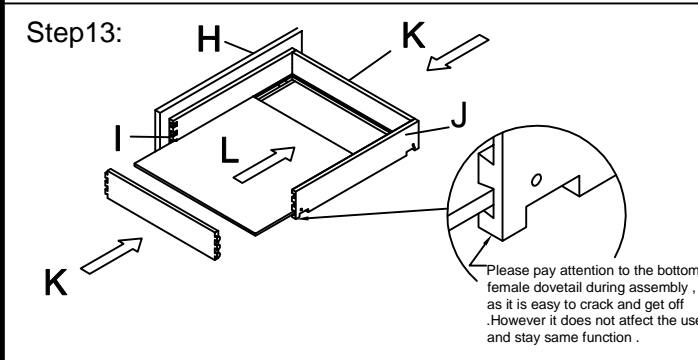
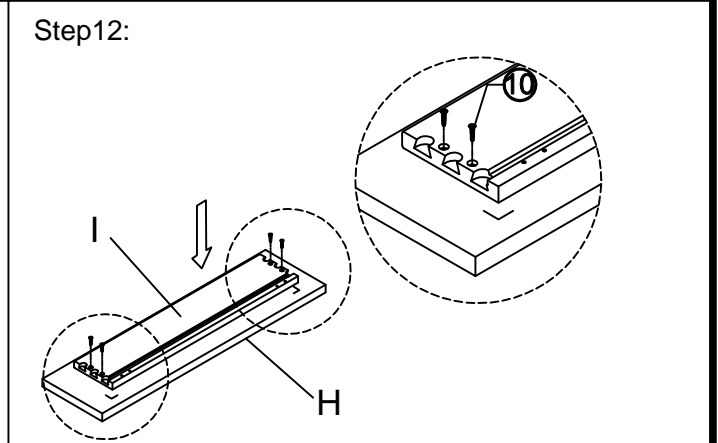
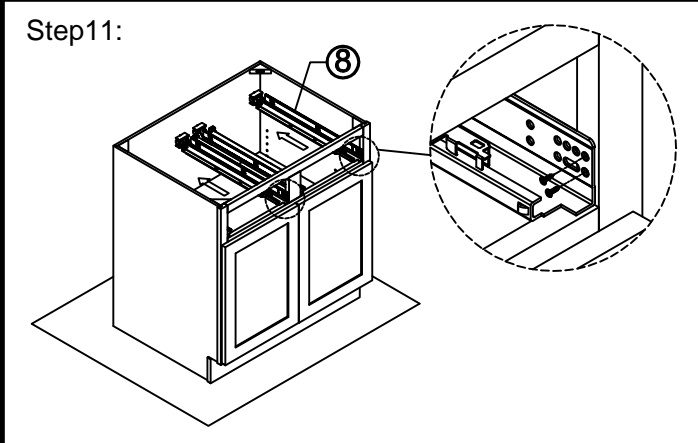
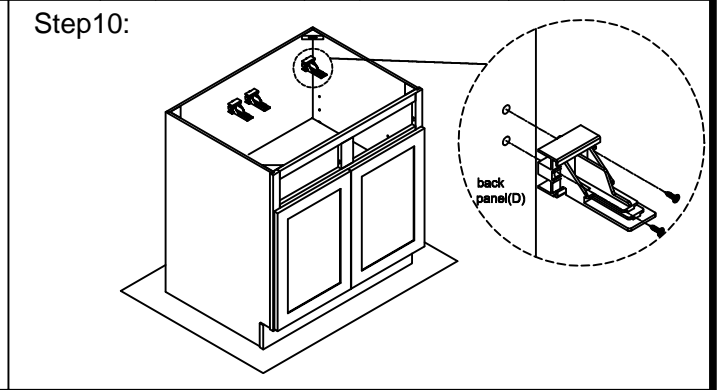
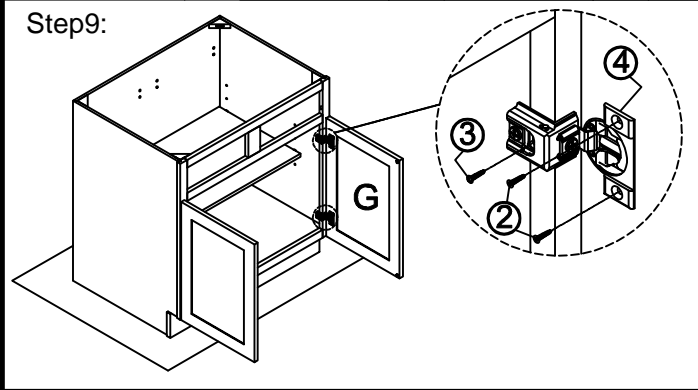
Step8:



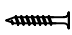








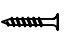
Base Cabinet Assembly Instruction (Item: B36-B48)

Hard Ware List	1 10PCS Ø4×25mm	2 8PCS Ø4×16mm	3 4PCS Ø4×19mm	4 4PCS 1-1/4"	5 16PCS Ø4×12mm	6 4PCS	7 4PCS Ø8mm	8 2SET
	Flat head screw	Flat head screw	Round head screw	Hinge	Flat head screw	Corner brackets	Shelf clips	Slide
								
	9 4PCS 60°60°18	10 8PCS Ø4×22mm						
	Corner block	Flat head screw						
								

Cabinet Parts List	A	Frame	B	Side panels(2)	C	Bottom panel	D	Back panel	E	Toe kick	F	Adjustable shelf
	G	Door	H	Drawer front	I	Drawer front panel	J	Drawer back panel	K	Drawer side panel(2)	L	Drawer bottom panel

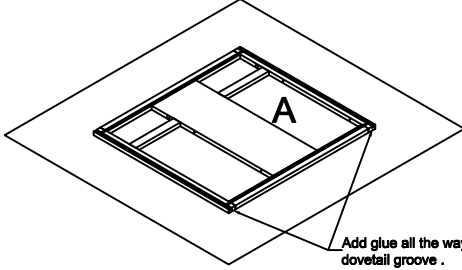


Base Cabinet Assembly Instruction (Item:BBC36-BBC42)

Hard Ware List	1 10PCS Ø4×25mm	2 4PCS Ø4×16mm	3 2PCS Ø4×19mm	4 4PCS 1-1/4"	5 16PCS Ø4×12mm	6 4PCS	7 4PCS Ø8mm	8 1SET
	Flat head screw	Flat head screw	Round head screw	Hinge	Flat head screw	Corner brackets	Shelf clips	Side
								
9 4PCS 60°60°18	10 4PCS Ø4×22mm		Note: Door and drawers can be installed either left or right depending on the blind side.					
Corner block	Flat head screw							
								

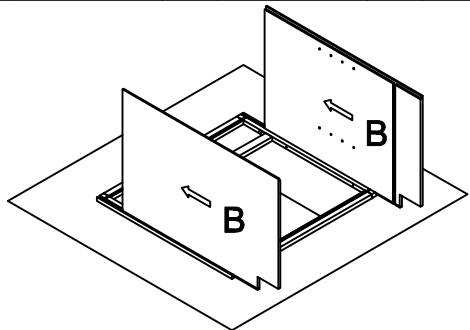
Cabinet Parts List	A	Frame	B	Side panels(2)	C	Bottom panel	D	Back panel	E	Toe kick	F	Adjustable shelf
	G	Door	H	Drawer front	I	Drawer front panel	J	Drawer back panel	K	Drawer side panel(2)	L	Drawer bottom panel

Step1:

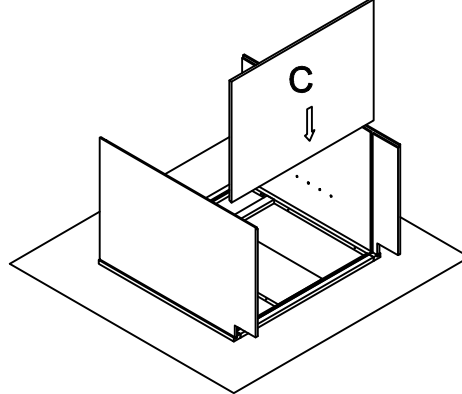


Add glue all the way down along dovetail groove .

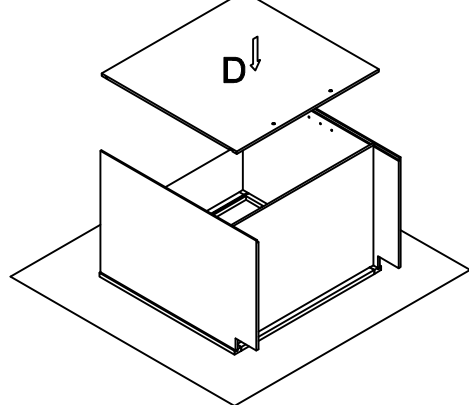
Step2:



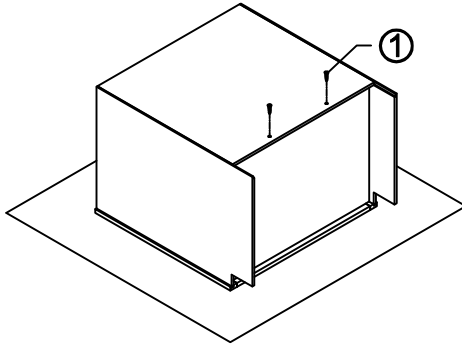
Step3:



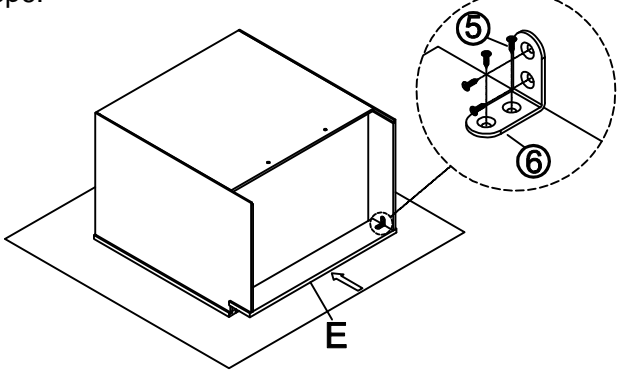
Step4:



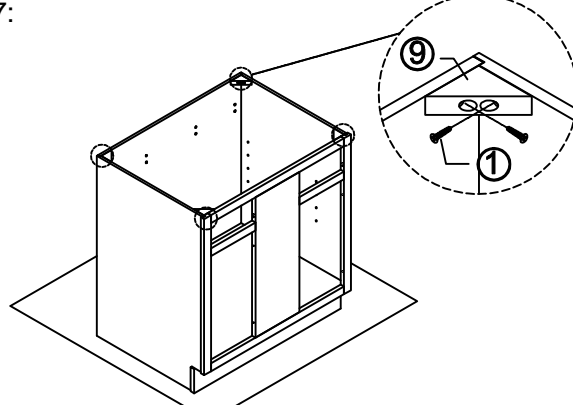
Step5:



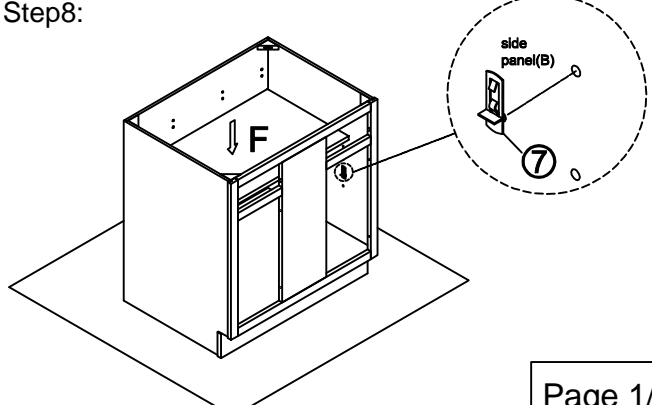
Step6:



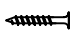








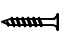
Step7:



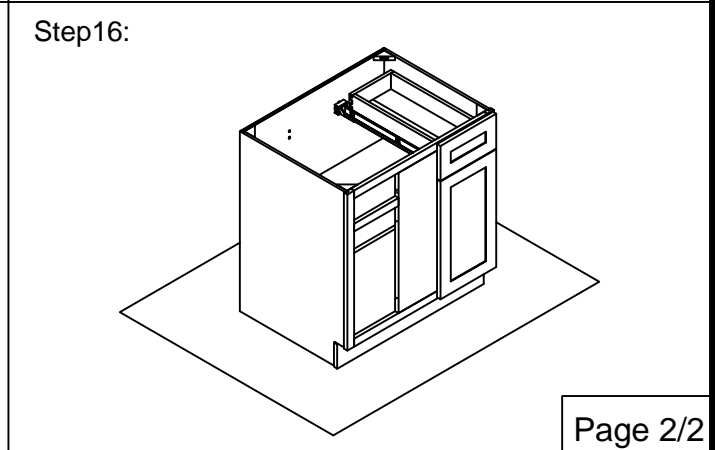
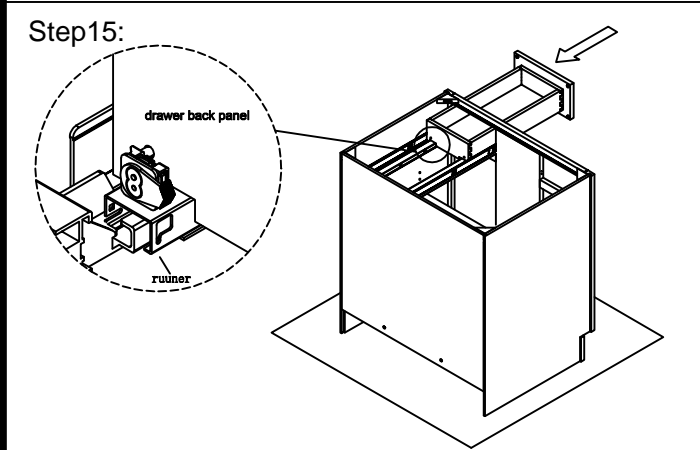
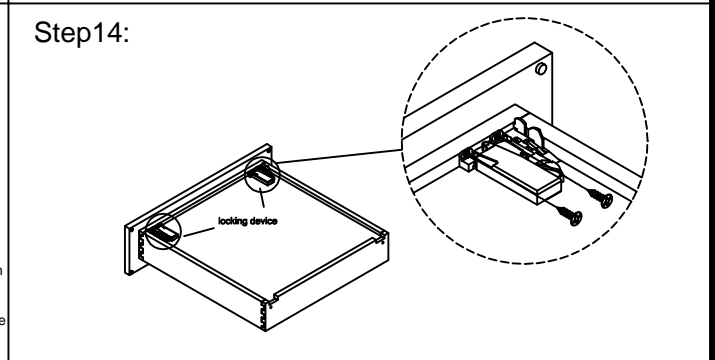
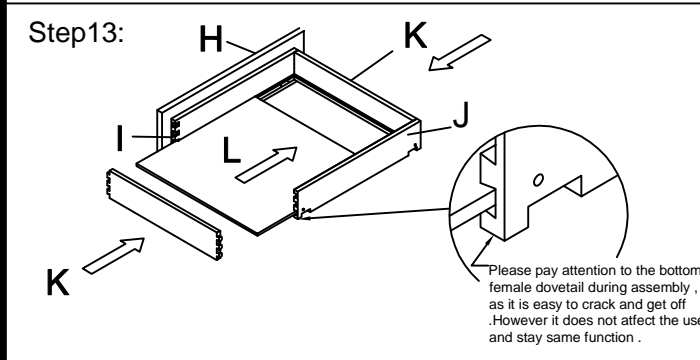
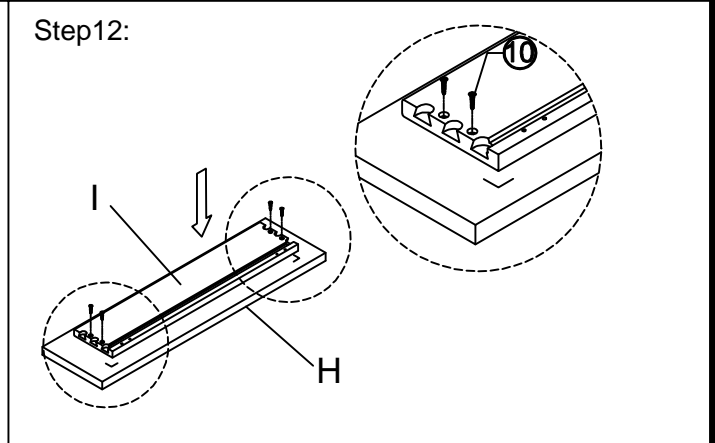
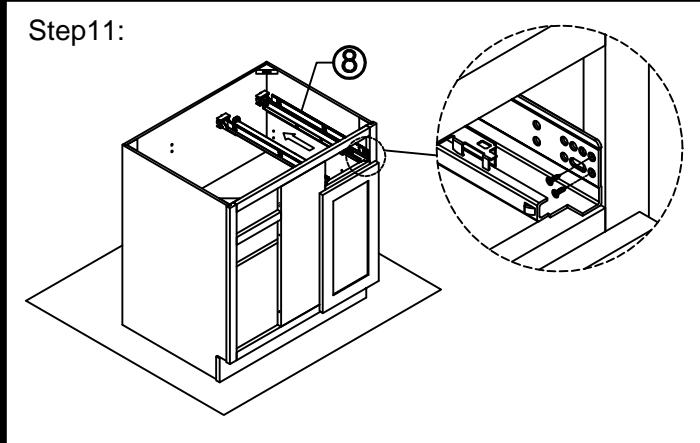
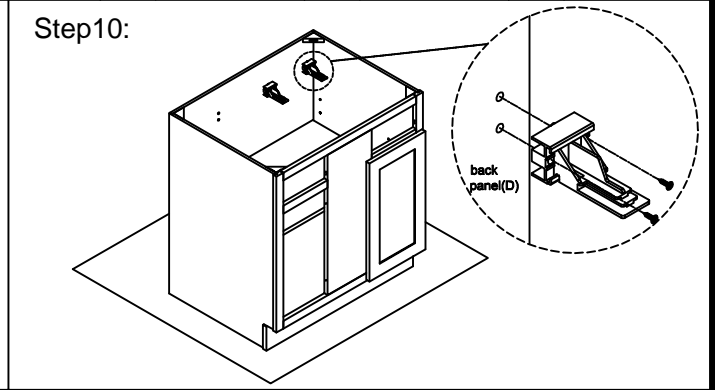
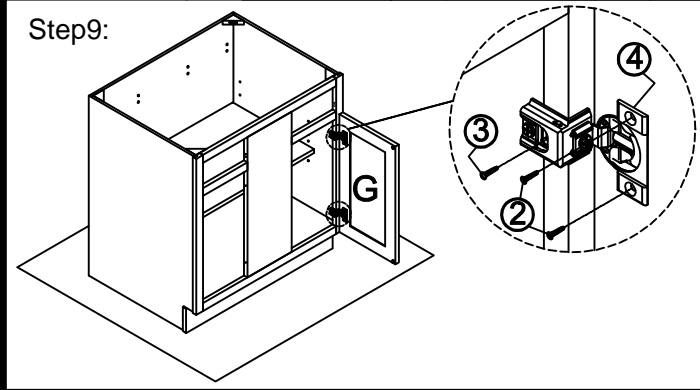
Step8:



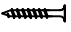






Base Cabinet Assembly Instruction (Item:BBC39/42-BBC42/45)

Hard Ware List	1 10PCS Ø4×25mm	2 4PCS Ø4×16mm	3 2PCS Ø4×19mm	4 4PCS 1-1/4"	5 16PCS Ø4×12mm	6 4PCS	7 4PCS Ø8mm	8 1SET
	Flat head screw	Flat head screw	Round head screw	Hinge	Flat head screw	Corner brackets	Shelf clips	Slide
								
	9 4PCS 60°60°18	10 4PCS Ø4×22mm						
	Corner block	Flat head screw						
								

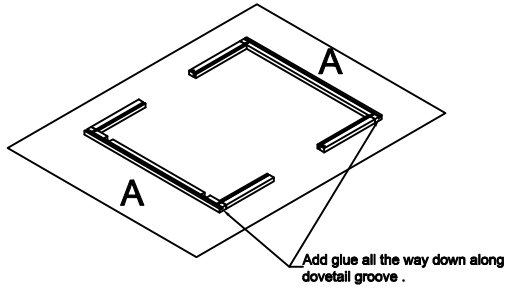
Cabinet Parts List	A	Frame	B	Side panels(2)	C	Bottom panel	D	Back panel	E	Toe kick	F	Adjustable shelf
	G	Door	H	Drawer front	I	Drawer front panel	J	Drawer back panel	K	Drawer side panel(2)	L	Drawer bottom panel



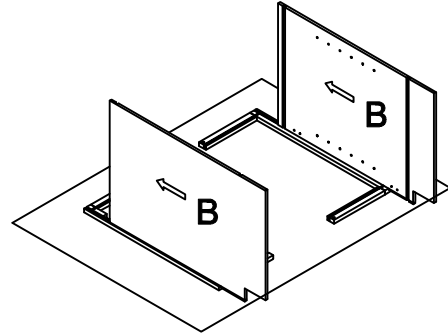
Lazy Susan Base Cabinet Assembly Instruction (Item: BLS33-BLS36)

Hard Ware List	1 8PCS Ø4×25mm	2 4PCS Ø4×16mm	4 2PCS 165°	5 40PCS Ø4×12mm	6 10PCS	7 8PCS Ø6mm	8 4PCS 60°60°18					
	Flat head screw	Flat head screw	Hinge	Flat head screw	Corner brackets	Shelf clips	Corner block					
												
Cabinet Parts List	A	Frame(2)	B	Side panels(4)	C	Top panel	D	Bottom panel	E	Adjustable shelf	F	Back panel
	G	Toe kick(2)	H	Door(2)								

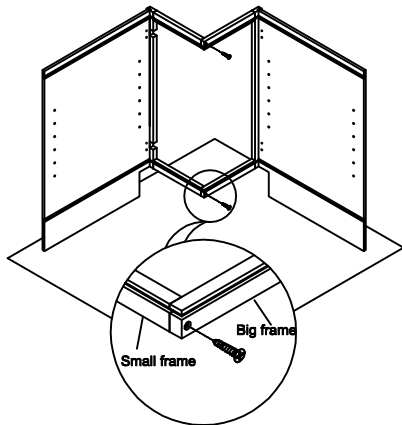
Step1:



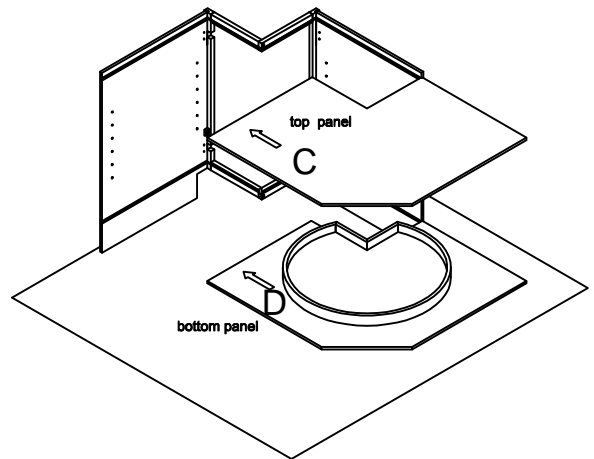
Step2:



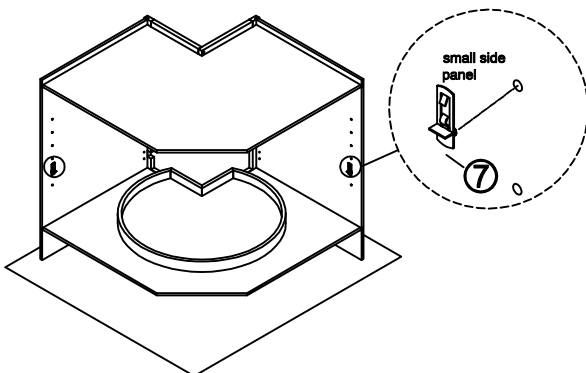
Step3:



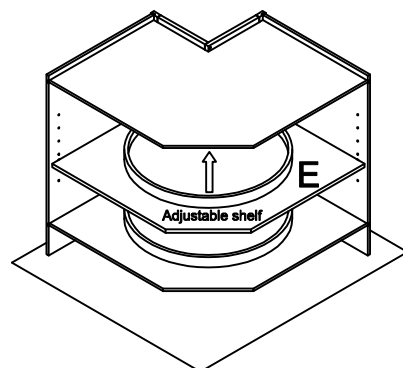
Step4:



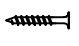






Step5:



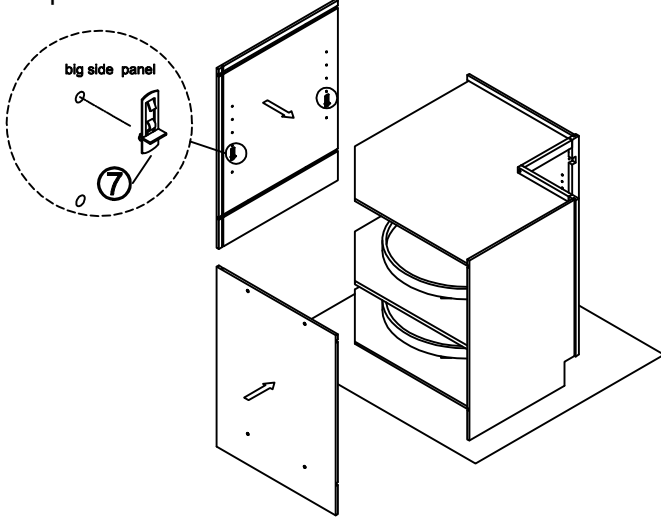
Step6:



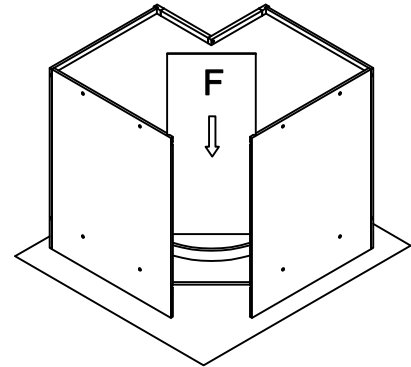
Lazy Susan Base Cabinet Assembly Instruction (Item: BLS33-BLS36)

Hard Ware List	1 16PCS Ø4×25mm	2 4PCS Ø4×16mm	4 2PCS 165°	5 40PCS Ø4×12mm	6 10PCS	7 8PCS Ø6mm	8 4PCS 60°60°18					
	Flat head screw	Flat head screw	Hinge	Flat head screw	Corner brackets	Shelf clips	Corner block					
												
Cabinet Parts List	A	Frame(2)	B	Side panels(4)	C	Top panel	D	Bottom panel	E	Adjustable shelf	F	Back panel
	G	Toe kick(2)	H	Door(2)								

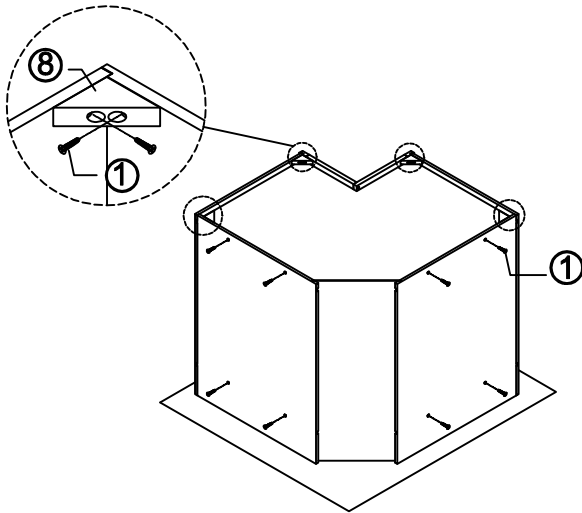
Step7:



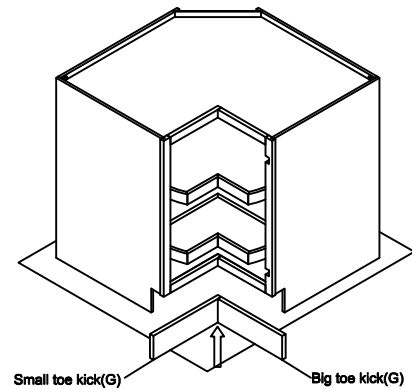
Step8:



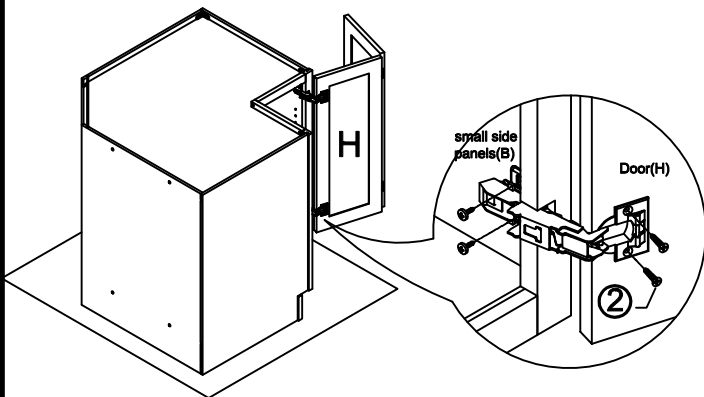
Step9:



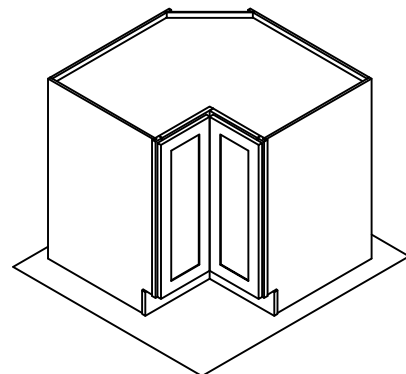
Step10:



Step11:



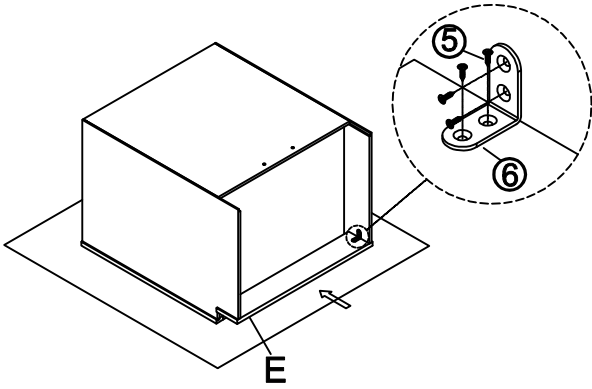
Step12:



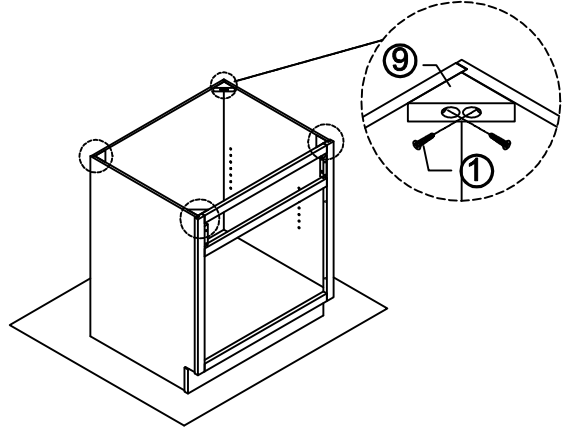
Base Cabinet Assembly Instruction (Item: SB33-SB42 / V2421-V36)

Hard Ware List	1 6PCS Ø4×25mm	2 8PCS Ø4×16mm	3 4PCS Ø4×19mm	4 4PCS 1-1/4"	5 40PCS Ø4×12mm	6 10PCS	9 4PCS 60°60°18	10 12PCS Ø4×22mm				
	Flat head screw	Flat head screw	Round head screw	Hinge	Flat head screw	Corner brackets	Corner block	Flat head screw				
Cabinet Parts List	A	Frame	B	Side panels(2)	C	Bottom panel	D	Back panel	E	Toe kick	G	Door(2)
	H	Drawer front										

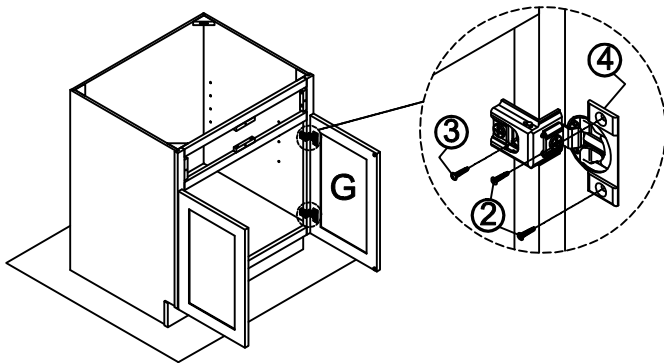
Step6:



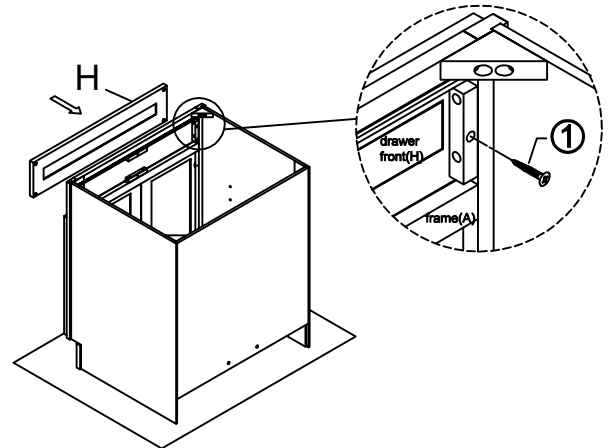
Step7:



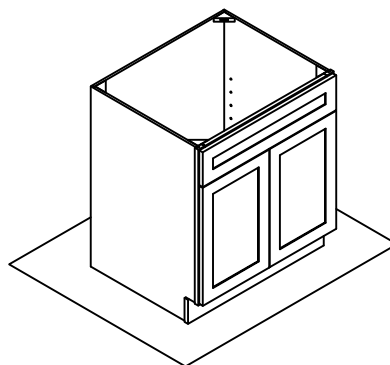
Step8:



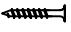





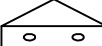
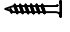
Step9:



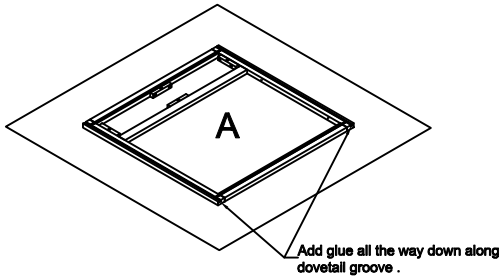
Step10:



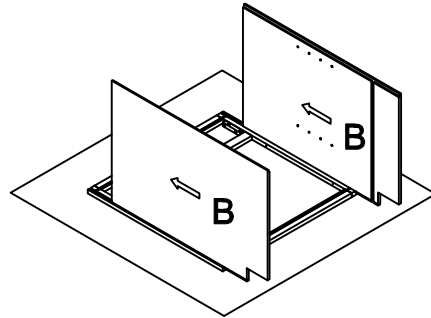
Base Cabinet Assembly Instruction (Item:SB24-SB48/V2421-V3621)

Hard Ware List	1 6PCS Ø4×25mm	2 8PCS Ø4×16mm	3 4PCS Ø4×19mm	4 4PCS 1-1/4"	5 40PCS Ø4×12mm	6 10PCS	9 4PCS 60°60°18	10 12PCS Ø4×22mm				
	Flat head screw	Flat head screw	Round head screw	Hinge	Flat head screw	Corner brackets	Corner block	Flat head screw				
												
Cabinet Parts List	A	Frame	B	Side panels(2)	C	Bottom panel	D	Back panel	E	Toe kick	G	Door(2)
	H	Drawer front										

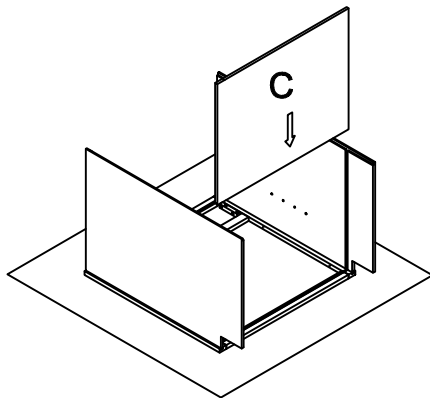
Step1:



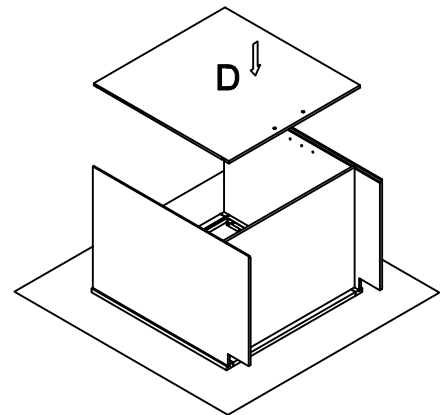
Step2:



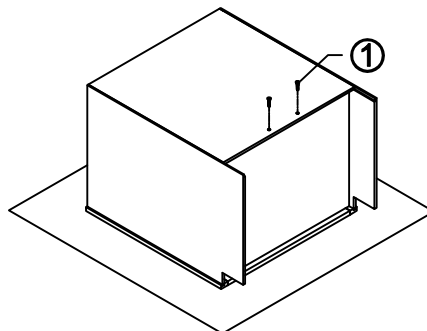
Step3:



Step4:



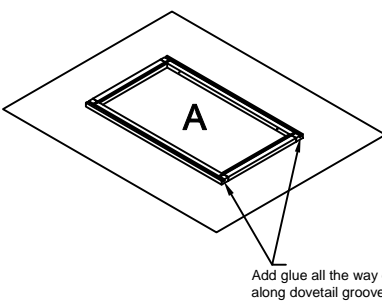
Step5:



Wall Cabinet Assembly Instruction (Item:W0930-W2130/W0936-W2136/PW1830-PW1836)

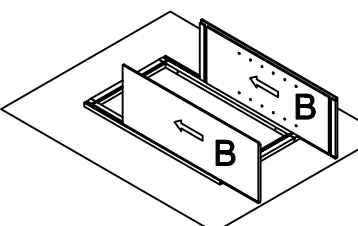
Hard Ware List	1 4PCS Ø4×25mm	2 4PCS Ø4×16mm	3 2PCS Ø4×19mm	4 2PCS 1-1/4"	5 32PCS Ø4×12mm	6 8PCS	7 8PCS Ø8mm	
	Flat head screw	Flat head screw	Round head screw	Hinge	Flat head screw	Corner brackets	Shelf clips	
Cabinet Parts List	A	Frame	B	Side panels(2)	C	Top panel & Bottom panel(2)	D	Back panel
	E	Adjustable shelf(2)		F	Door			

Step1:

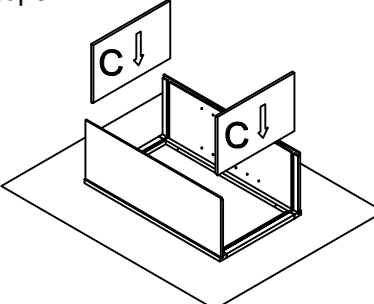


Add glue all the way down along dovetail groove .

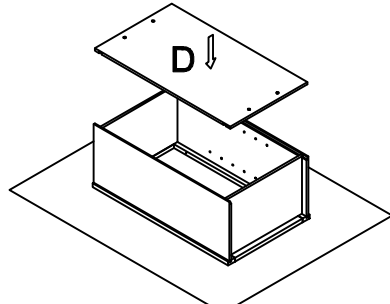
Step2:



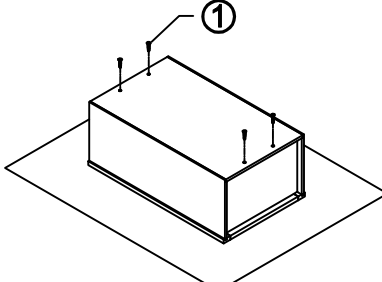
Step3:



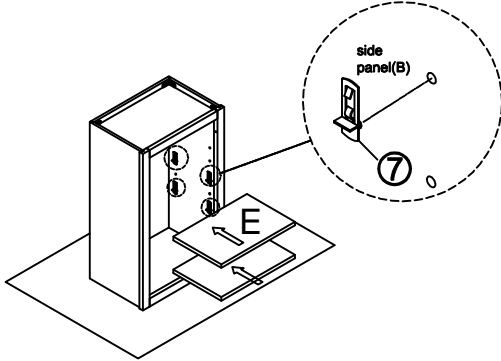
Step4:



Step5:

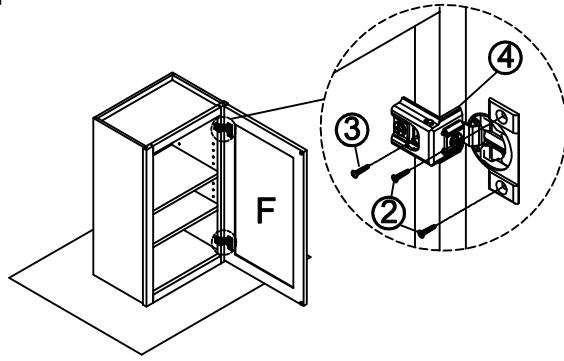


Step6:



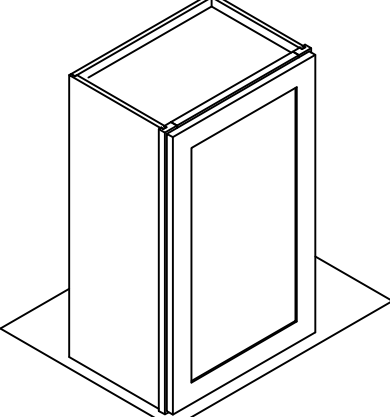
side panel(B)
7

Step7:



4
3
2

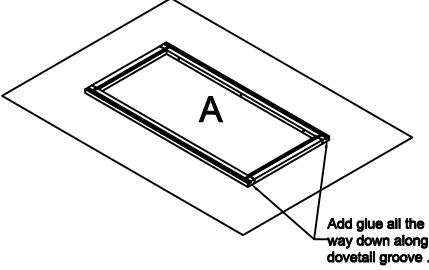
Step8:



Wall Cabinet Assembly Instruction (Item:W0942-W2142/PW1842)

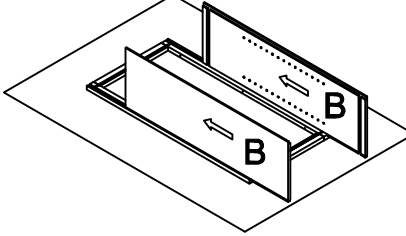
Hard Ware List	1 4PCS Ø4×25mm	2 6PCS Ø4×16mm	3 3PCS Ø4×19mm	4 3PCS 1-1/4"	5 16PCS Ø4×12mm	6 4PCS	7 12PCS Ø8mm	
	Flat head screw	Flat head screw	Round head screw	Hinge	Flat head screw	Corner brackets	Shelf clips	
Cabinet Parts List	A	Frame	B	Side panels(2)	C	Top panel & Bottom panel(2)	D	Back panel
	E	Adjustable shelf(3)			F	Door		

Step1:

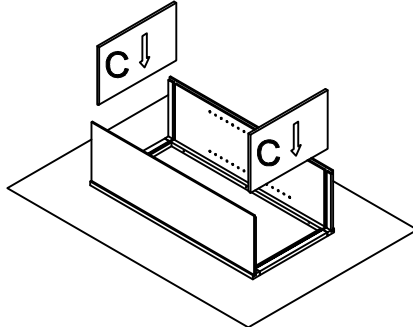


Add glue all the way down along dovetail groove.

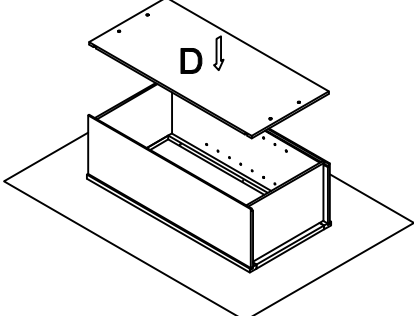
Step2:



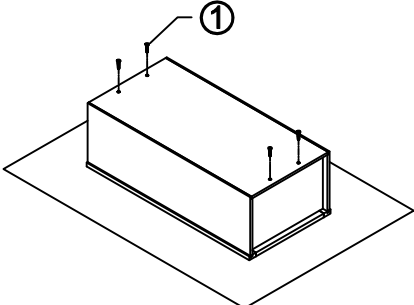
Step3:



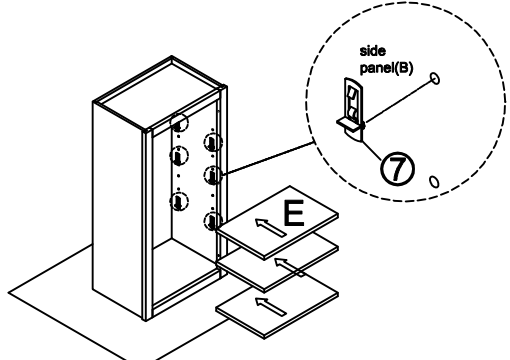
Step4:



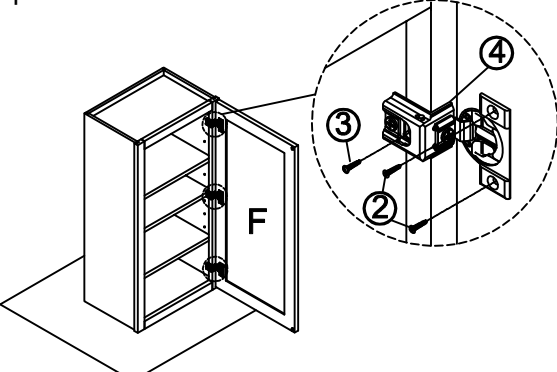
Step5:



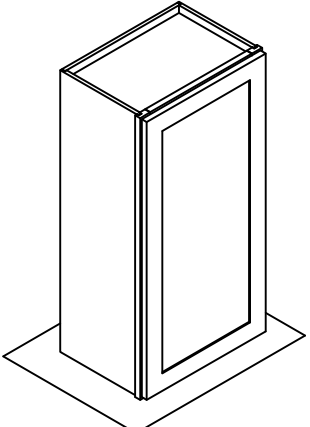
Step6:



Step7:



Step8:

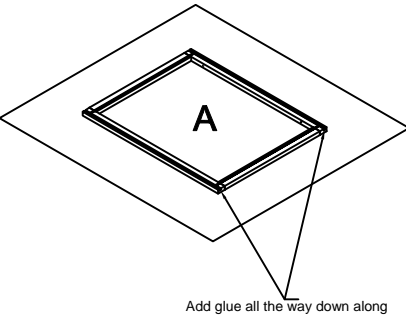


Wall Cabinet Assembly Instruction

(Item: W2430-W3630 W2436-W3636 PW2430-PW3030 PW2436-PW3036)

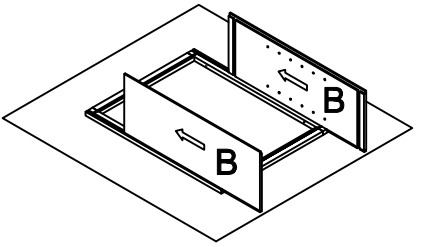
Hard Ware List	1 4PCS Ø4×25mm	2 8PCS Ø4×16mm	3 4PCS Ø4×19mm	4 4PCS 1-1/4"	5 16PCS Ø4×12mm	6 4PCS	7 8PCS Ø8mm	
	Flat head screw	Flat head screw	Round head screw	Hinge	Flat head screw	Corner brackets	Shelf clips	
Cabinet Parts List	A	Frame	B	Side panels(2)	C	Top panel & Bottom panel(2)	D	Back panel
	E	Adjustable shelf(2)		F	Door(2)			

Step1:

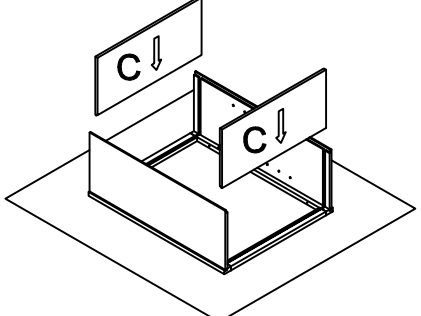


Add glue all the way down along dovetail groove .

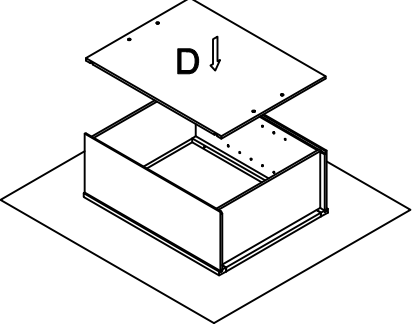
Step2:



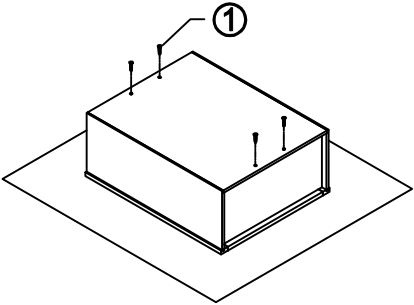
Step3:



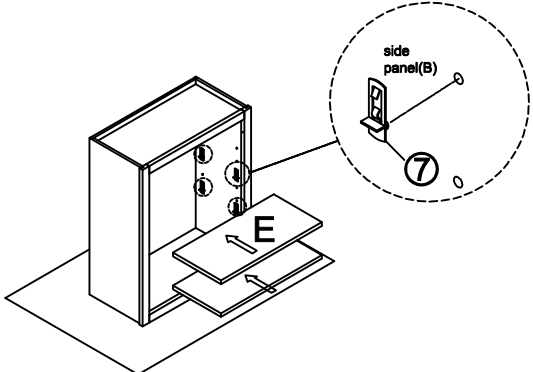
Step4:



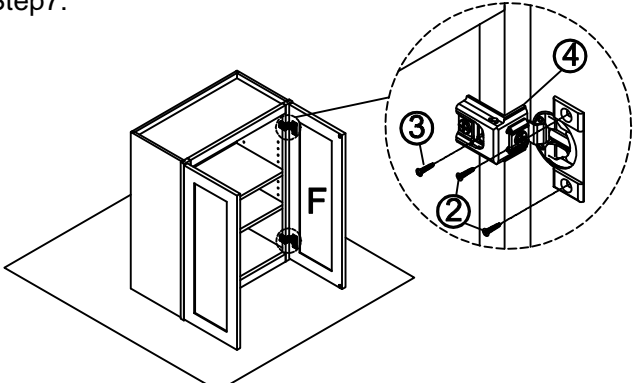
Step5:



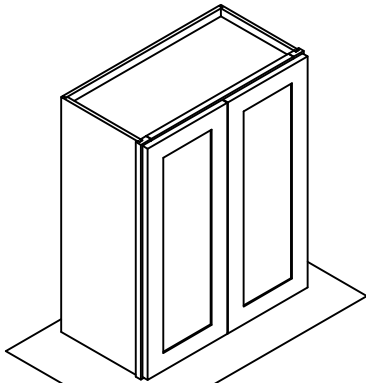
Step6:



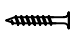






Step7:

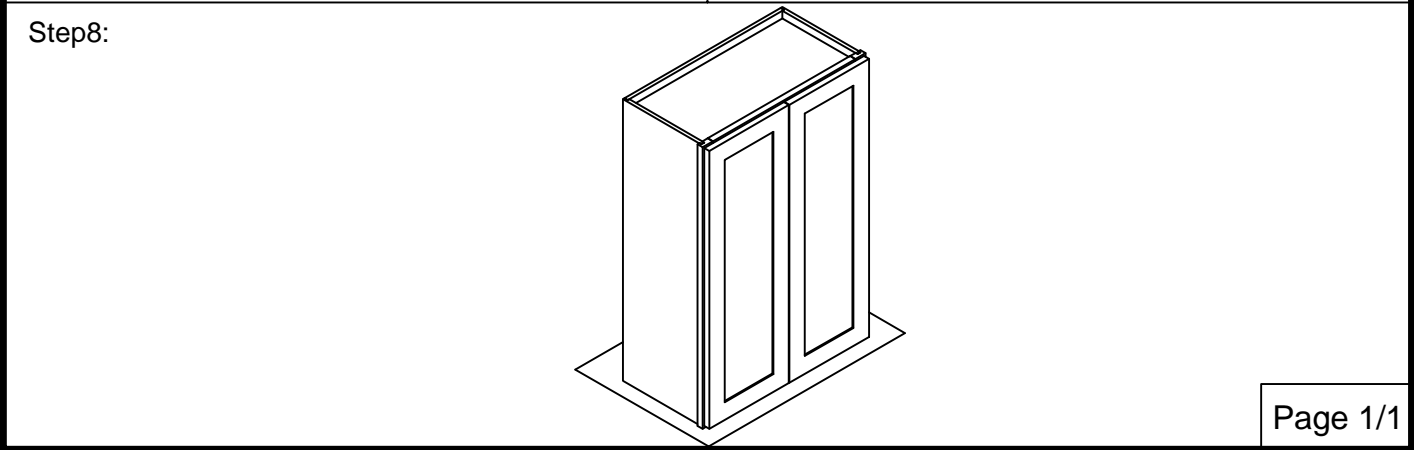
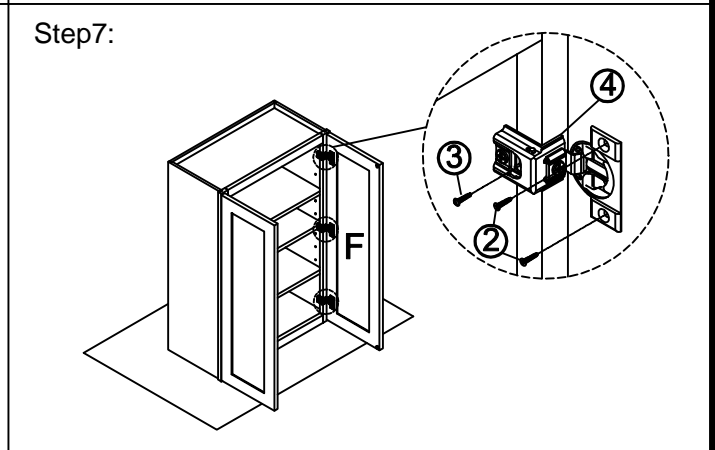
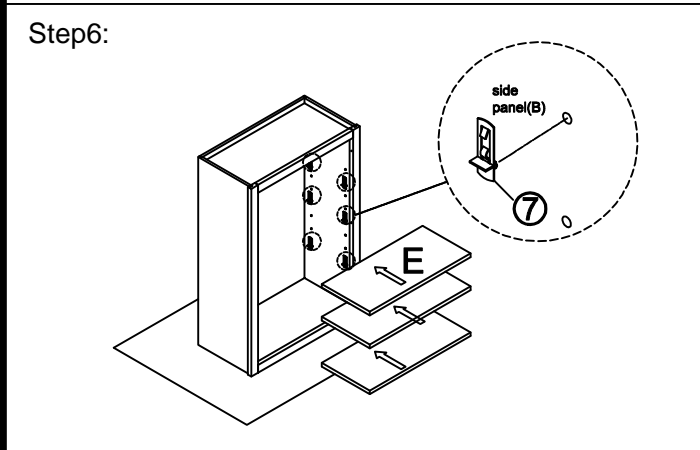
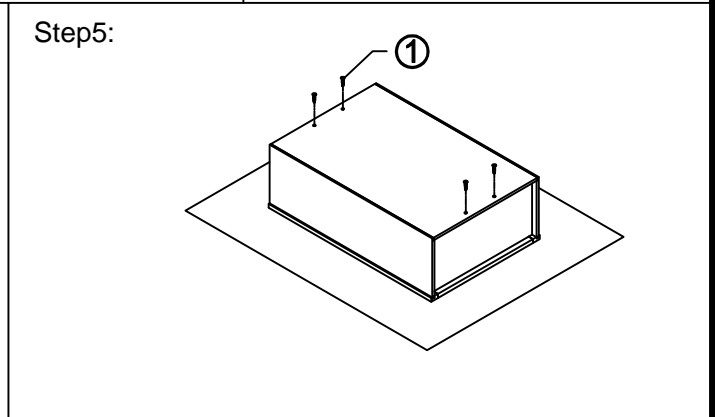
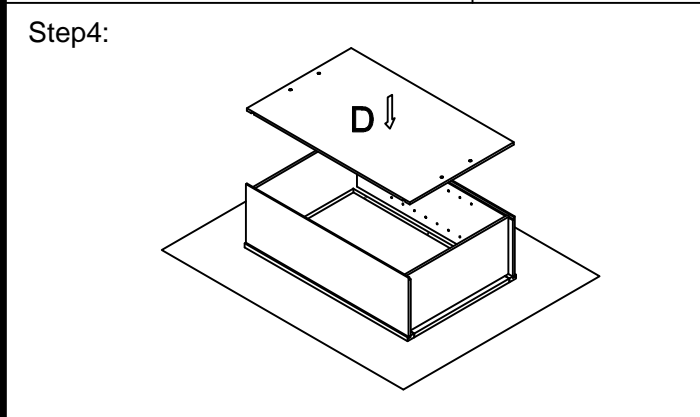
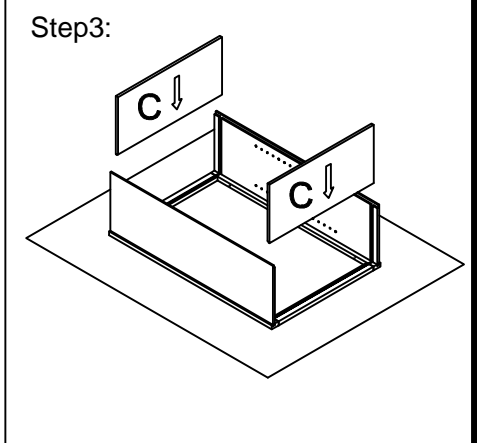
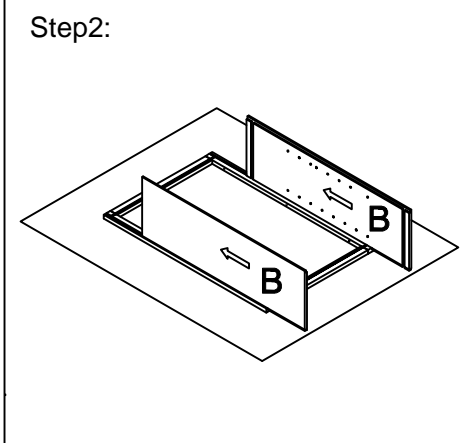
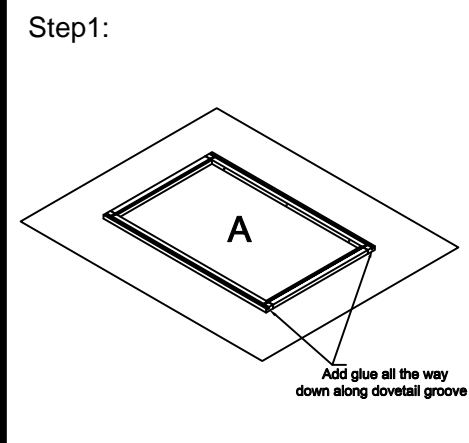


Step8:



Wall Cabinet Assembly Instruction (Item: W2442-W3642 PW2442-PW3042)

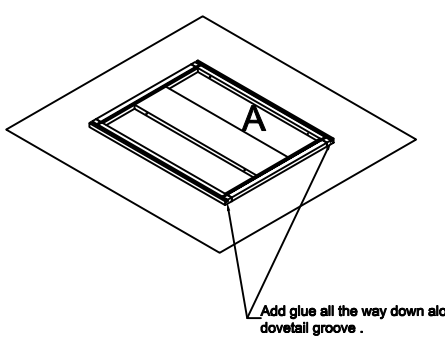
Hard Ware List	1 4PCS Ø4×25mm	2 12PCS Ø4×16mm	3 6PCS Ø4×19mm	4 6PCS 1-1/4"	5 16PCS Ø4×12mm	6 4PCS	7 12PCS Ø8mm	
	Flat head screw	Flat head screw	Round head screw	Hinge	Flat head screw	Corner brackets	Shelf clips	
								
Cabinet Parts List	A	Frame	B	Side panels(2)	C	Top panel & Bottom panel(2)	D	Back panel
	E	Adjustable shelf(3)			F	Door(2)		



Wall Cabinet Assembly Instruction (Item: WBC2730-WBC2736)

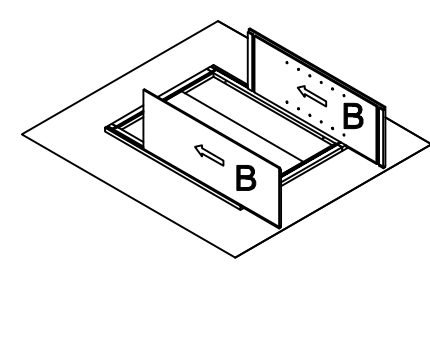
Hard Ware List	1 4PCS Ø4×25mm	2 4PCS Ø4×16mm	3 2PCS Ø4×19mm	4 2PCS 1-1/4"	5 16PCS Ø4×12mm	6 4PCS	7 8PCS Ø8mm	
	Flat head screw	Flat head screw	Round head screw	Hinge	Flat head screw	Corner brackets	Shelf clips	
Cabinet Parts List	A	Frame	B	Side panels(2)	C	Top panel & Bottom panel(2)	D	Back panel
	E	Adjustable shelf(2)			F	Door		

Step1:

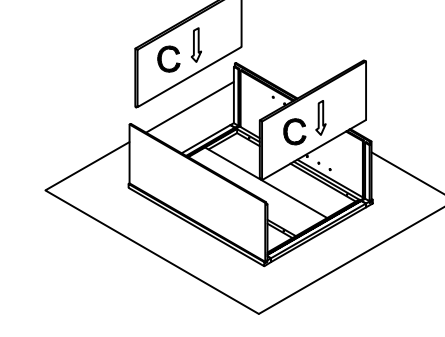


Add glue all the way down along dovetail groove .

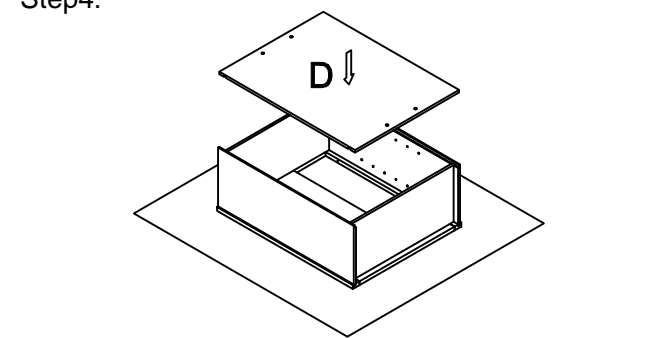
Step2:



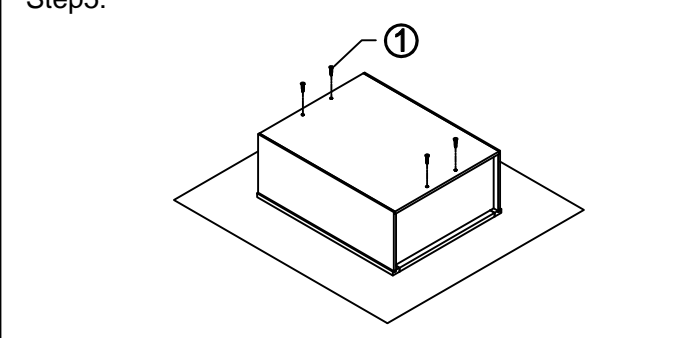
Step3:



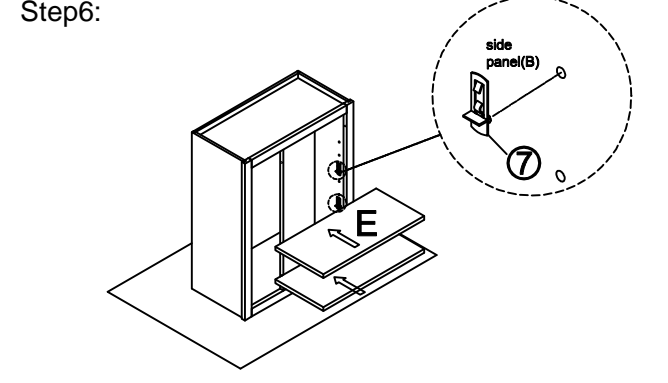
Step4:



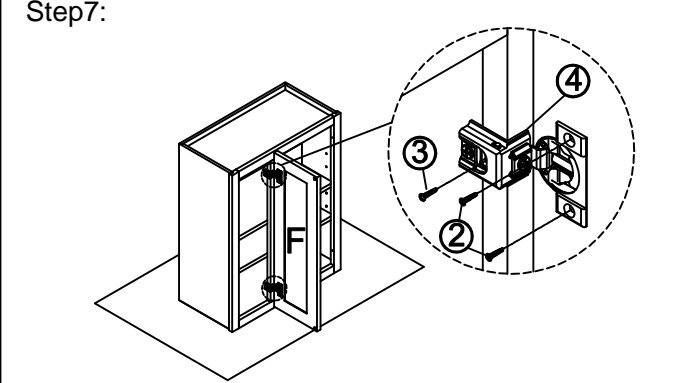
Step5:



Step6:

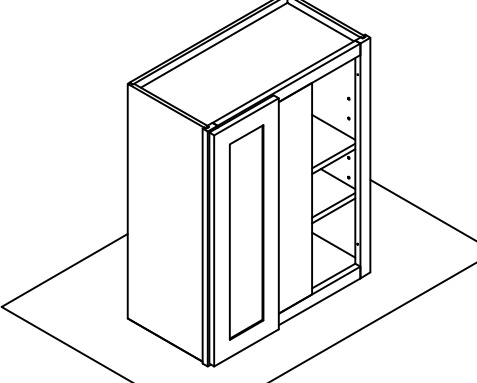


Step7:

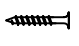







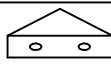
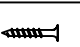


Step8:

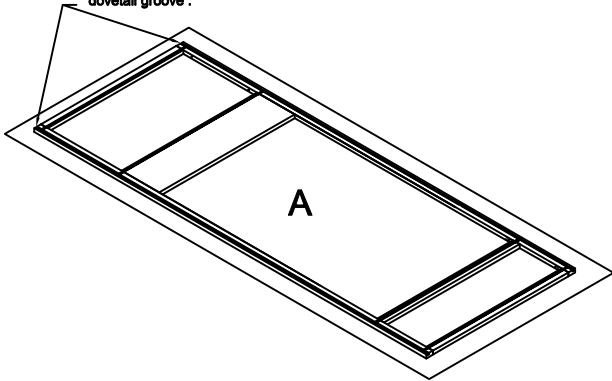
Note: Door can be installed either on the left or right depending on the blind side.



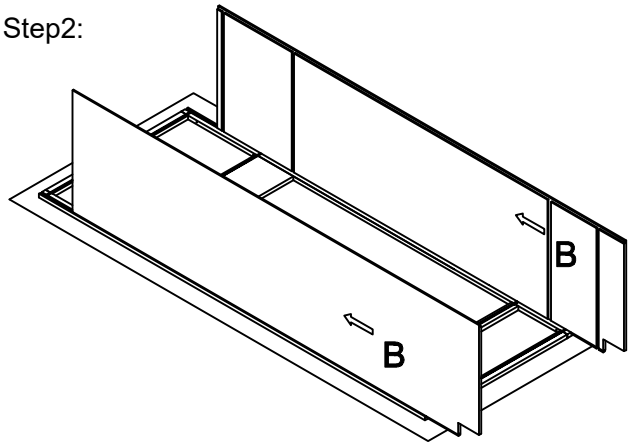
Oven Cabinet Assembly Instruction (Item:OC3190-OC3196)

Hard Ware List	1 16PCS Ø4×25mm	2 8PCS Ø4×16mm	3 4PCS Ø4×19mm	4 4PCS 1-1/4"	5 16PCS Ø4×12mm	6 4PCS	7 4PCS Ø8mm	8 1SET				
	Flat head screw	Flat head screw	Round head screw	Hinge	Flat head screw	Corner brackets	Shelf clips	Slide				
												
	9 4PCS 60°60°18											
	Corner block	10 6PCS Ø4×22mm										
		Flat head screw										
												
Cabinet Parts List	A	Frame	B	Side panels(2)	C	Top panel & Bottom panel(4)		D	Back panel	E	Toe kick	
	G	Door(2)	H	Drawer front(1)	I	Drawer front panel(1)	J	Drawer back panel(1)	K	Drawer side panel(2)	L	Drawer bottom panel(1)
	M	Fixed shelf(1)										

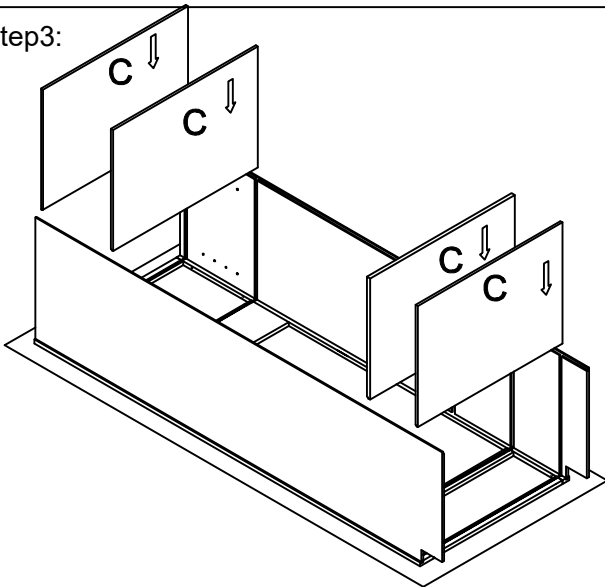
Step1: Add glue all the way down along dovetail groove.



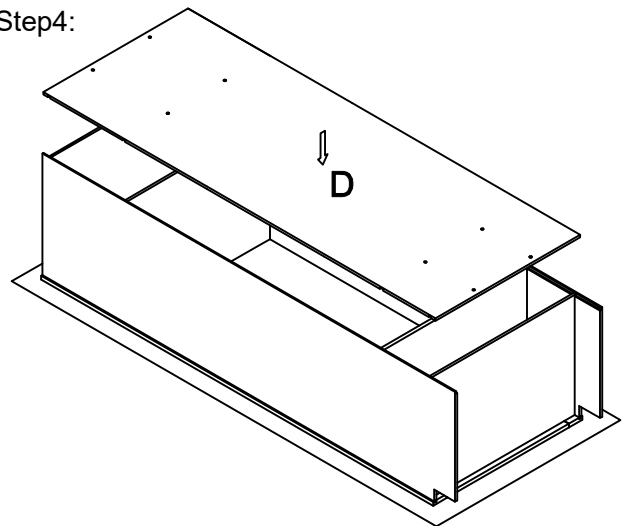
Step2:



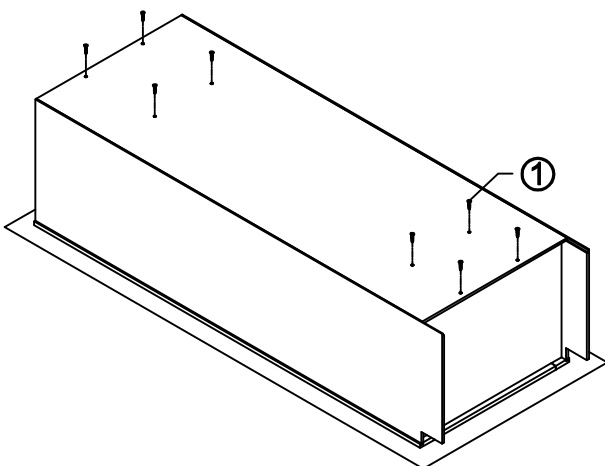
Step3:



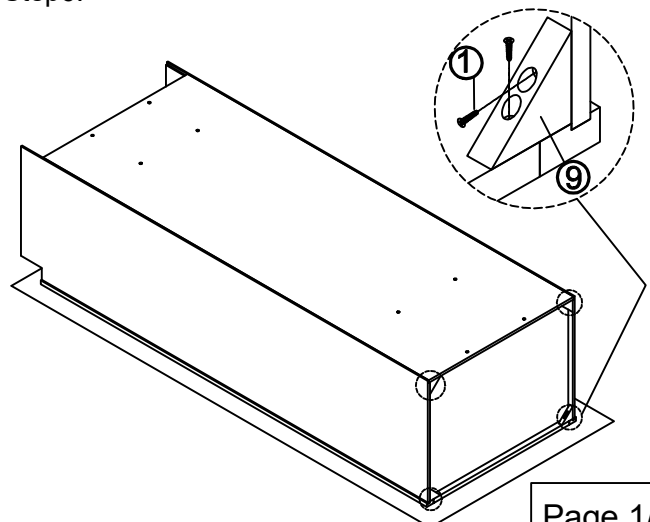
Step4:



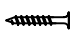







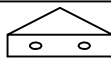
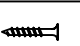
Step5:



Step6:

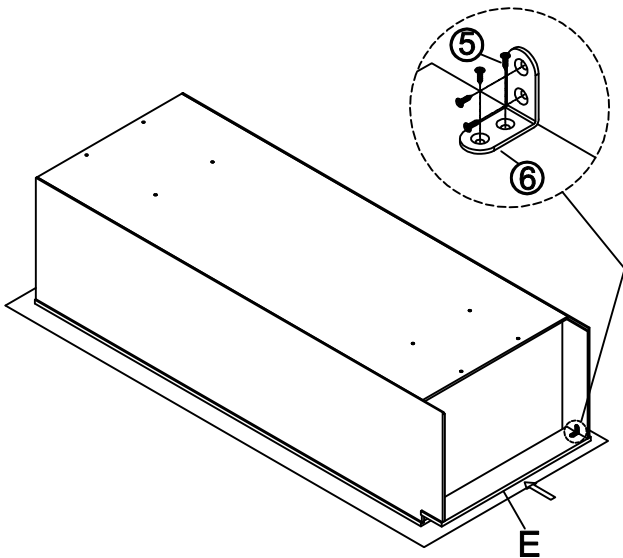


Oven Cabinet Assembly Instruction (Item:OC3190-OC3196)

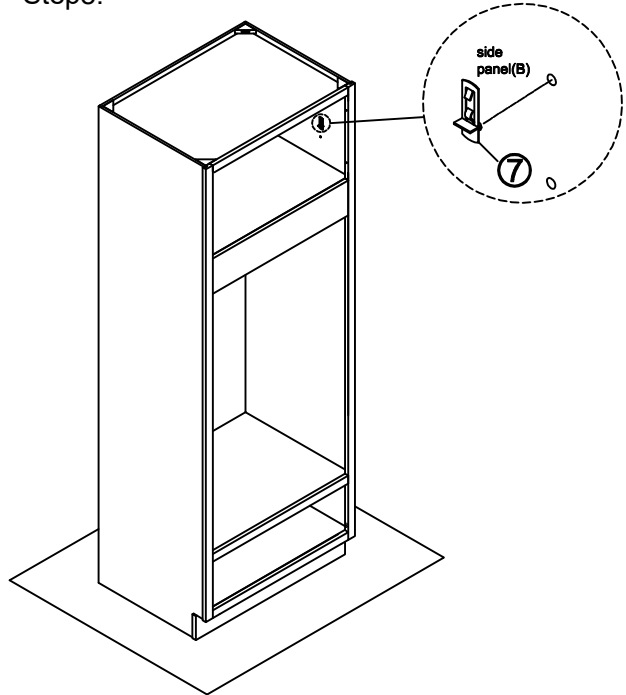
Hard Ware List	1 16PCS Ø4×25mm	2 8PCS Ø4×16mm	3 4PCS Ø4×19mm	4 4PCS 1-1/4"	5 16PCS Ø4×12mm	6 4PCS	7 4PCS Ø8mm	8 1SET
	Flat head screw	Flat head screw	Round head screw	Hinge	Flat head screw	Corner brackets	Shelf clips	Side
								
9 4PCS 60°60°18	10 6PCS Ø4×22mm							
Corner block	Flat head screw							
								

Cabinet Parts List	A	Frame	B	Side panels(2)	C	Top panel & Bottom panel(4)		D	Back panel	E	Toe kick	
	G	Door(2)	H	Drawer front(1)	I	Drawer front panel(1)	J	Drawer back panel(1)	K	Drawer side panel(2)	L	Drawer bottom panel (1)
	M	Fixed shelf (1)										

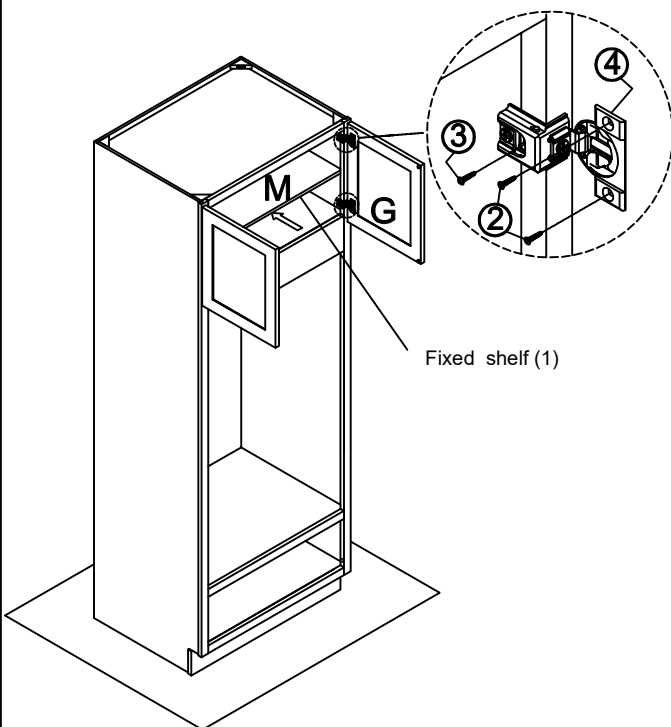
Step7:



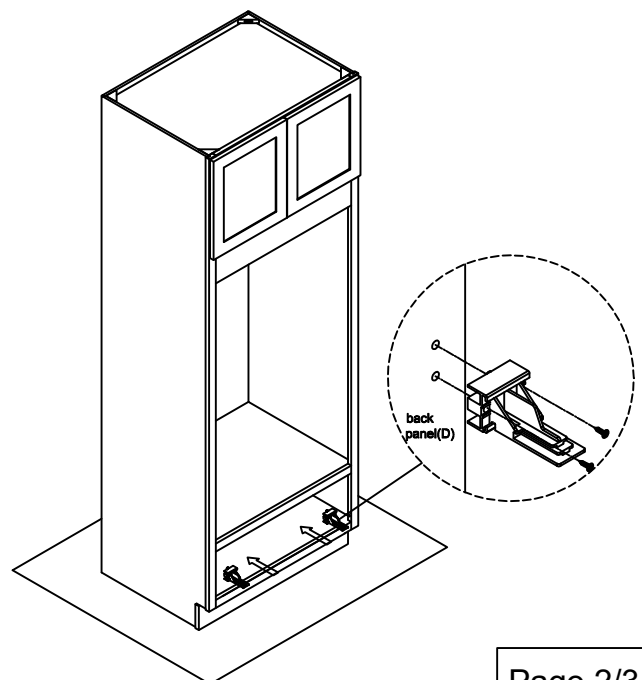
Step8:



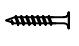







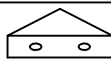
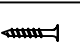
Step9:



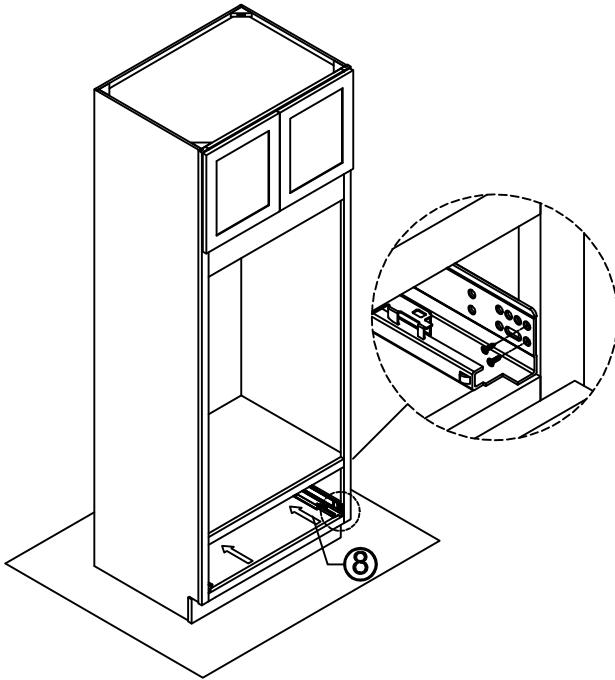
Step10:



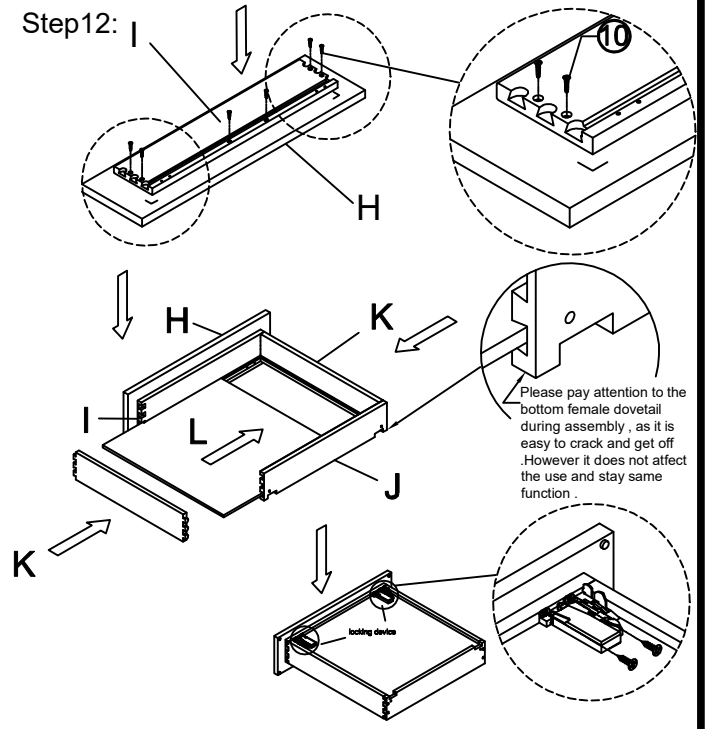
Oven Cabinet Assembly Instruction (Item:OC3190-OC3196)

Hard Ware List	1 16PCS Ø4×25mm	2 8PCS Ø4×16mm	3 4PCS Ø4×19mm	4 4PCS 1-1/4"	5 16PCS Ø4×12mm	6 4PCS	7 4PCS Ø8mm	8 1SET			
	Flat head screw	Flat head screw	Round head screw	Hinge	Flat head screw	Corner brackets	Shelf clips	Slide			
											
Cabinet Parts List	9 4PCS 60°60°18	10 6PCS Ø4×22mm									
	Corner block	Flat head screw									
											
A	Frame	B	Side panels(2)	C	Top panel & Bottom panel(4)		D	Back panel	E	Toe kick	
G	Door(2)	H	Drawer front(1)	I	Drawer front panel(1)	J	Drawer back panel(1)	K	Drawer side panel(2)	L	Drawer bottom panel(1)
M	Fixed shelf(1)										

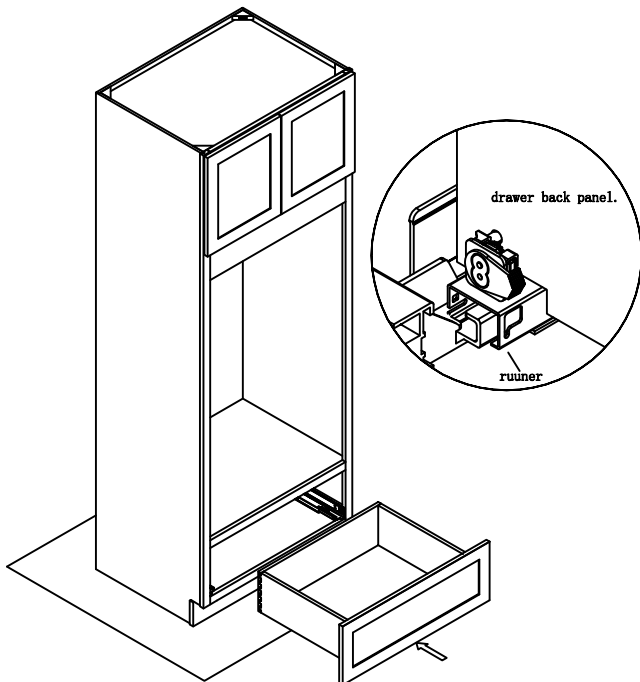
Step11:



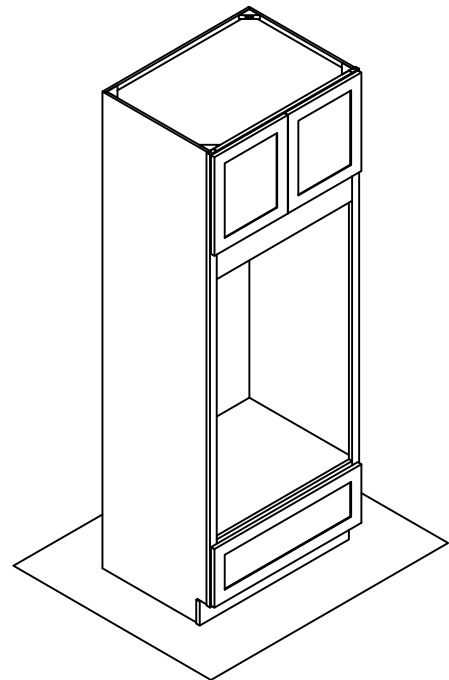
Step12:



Step13:



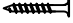
Step14:



Base Cabinet Assembly Instruction
(Item:TB06/TB09)

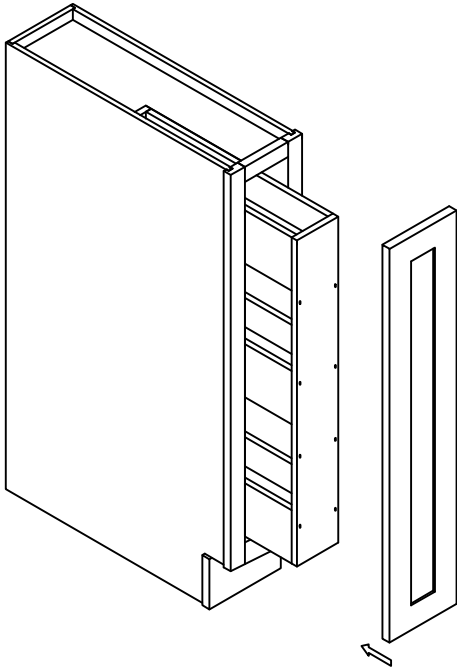
Hard Ware List

1	8PCS	Ø4×25mm
Flat head screw		



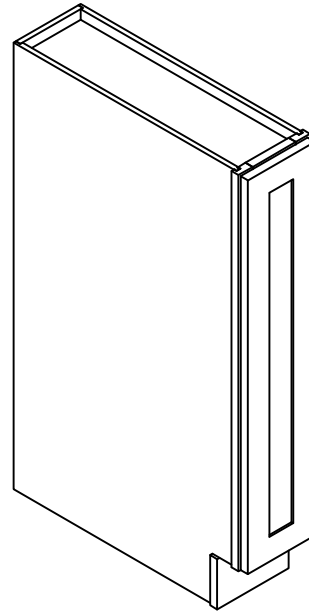
Cabinet Parts List	A	Frame	B	Door					
--------------------	---	-------	---	------	--	--	--	--	--

Step1:



STEP
1

Step2:

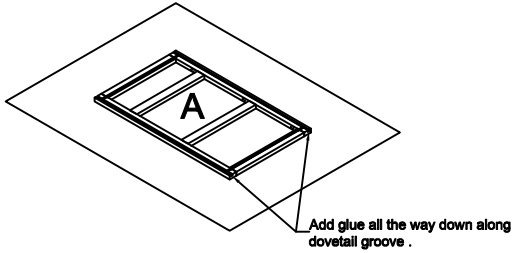


STEP
2

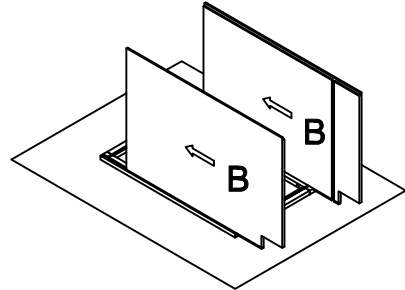
Base Cabinet Assembly Instruction (Item: DB12-DB36 VDB1221-3 -VDB2121-3)

Hard Ware List	1 10PCS Ø4×25mm	5 16PCS Ø4×12mm	6 4PCS	8 3SET	9 4PCS 60°60°18	10 12PCS Ø4×22mm						
	Flat head screw	Flat head screw	Corner brackets	Slide	Corner block	Flat head screw						
Cabinet Parts List	A	Frame	B	Side panels(2)	C	Bottom panel	D	Back panel	E	Toe kick	H	Drawer front(3)
	I	Drawer front panel (3)	J	Drawer back panel (3)	K	Drawer side panel(6)	L	Drawer bottom panel (3)				

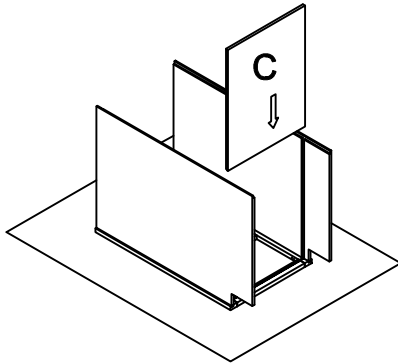
Step1:



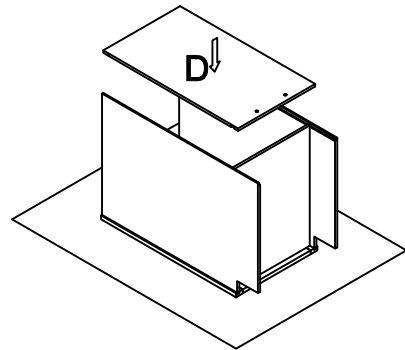
Step2:



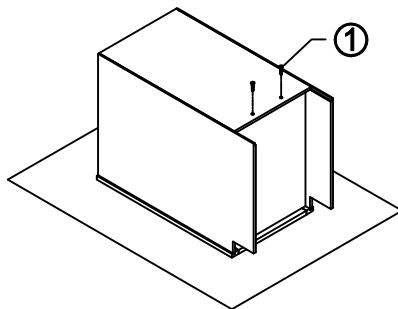
Step3:



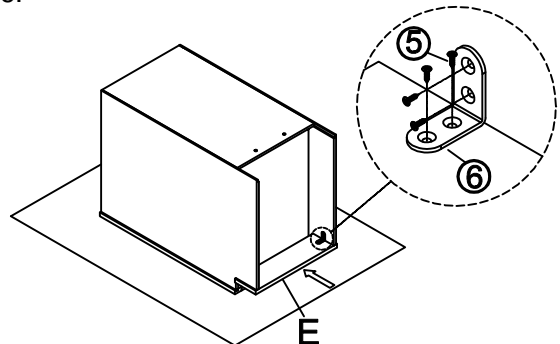
Step4:



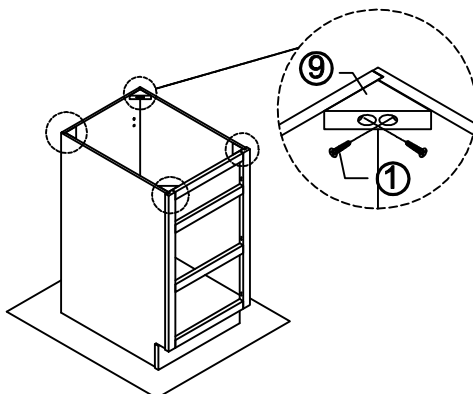
Step5:



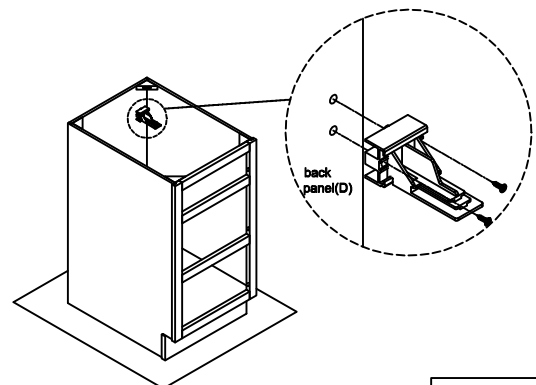
Step6:



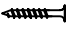




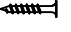
Step7:



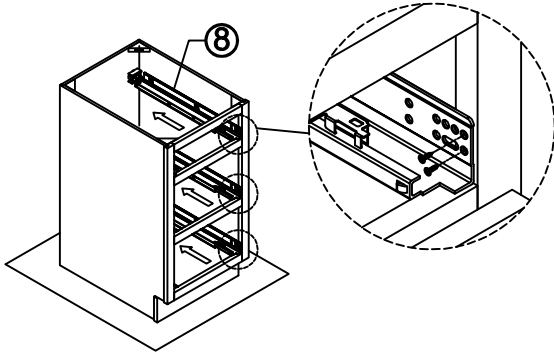
Step8:



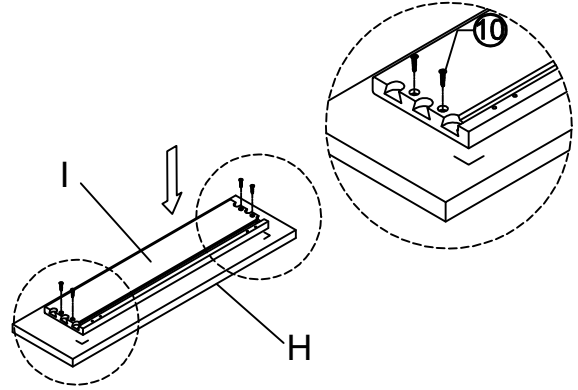
Base Cabinet Assembly Instruction (Item:DB12-DB36/VDB1221-3-VDB3621-3)

Hard Ware List	1 10PCS Ø4×25mm	5 16PCS Ø4×12mm	6 4PCS	8 3SET	9 4PCS 60°60°18	10 12PCS Ø4×22mm						
	Flat head screw	Flat head screw	Corner brackets	Slide	Corner block	Flat head screw						
												
Cabinet Parts List	A	Frame	B	Side panels(2)	C	Bottom panel	D	Back panel	E	Toe kick	H	Drawer front(3)
	I	Drawer front panel (3)	J	Drawer back panel (3)	K	Drawer side panel(6)	L	Drawer bottom panel (3)				

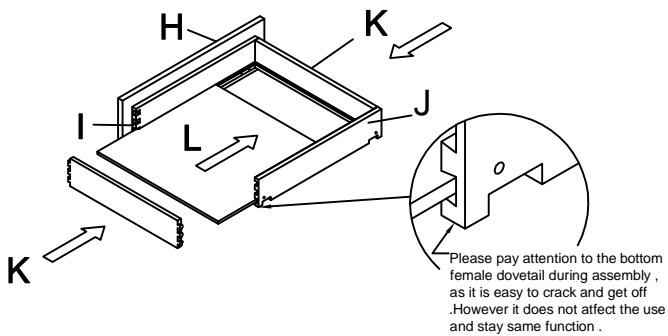
Step9:



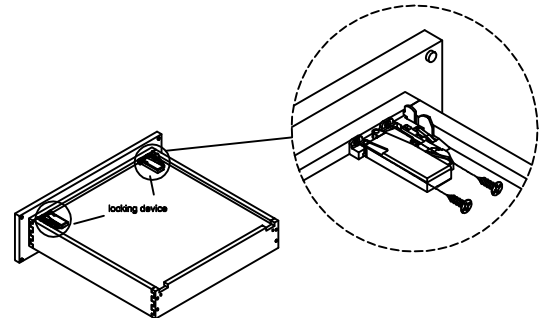
Step10:



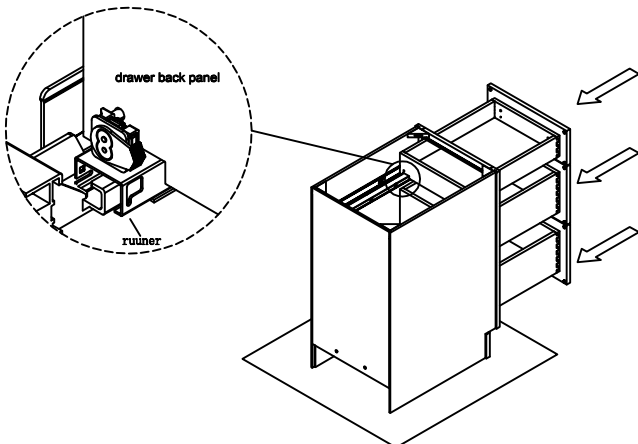
Step11:



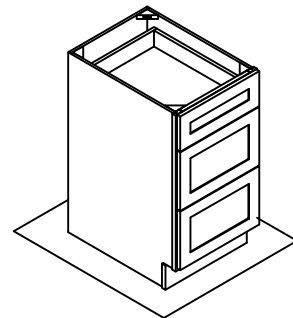
Step12:



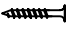





Step13:



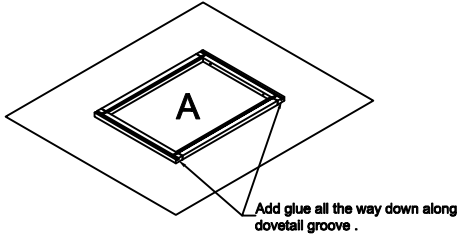
Step14:



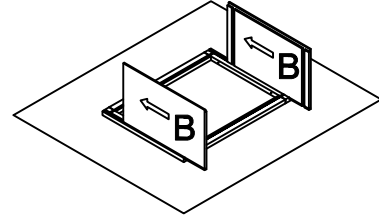
Wall Cabinet Assembly Instruction (Item:W3012-W3612 / W3015-W3615 / W3018-W3618/W3021-W3621)

Hard Ware List	1 4PCS Ø4×25mm	2 8PCS Ø4×16mm	3 4PCS Ø4×19mm	4 4PCS 1-1/4"	5 32PCS Ø4×12mm	6 8PCS				
	Flat head screw	Flat head screw	Round head screw	Hinge	Flat head screw	Corner brackets				
										
Cabinet Parts List	A	Frame	B	Side panels(2)	C	Top panel & Bottom panel(2)	D	Back panel	E	Door(2)

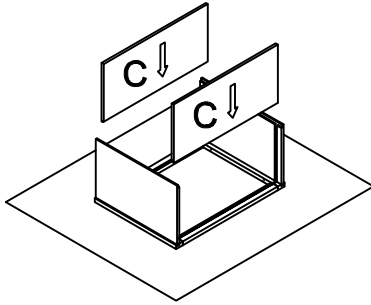
Step1:



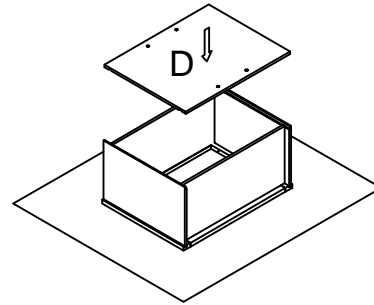
Step2:



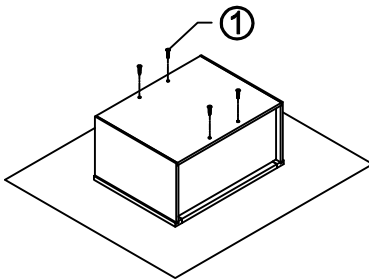
Step3:



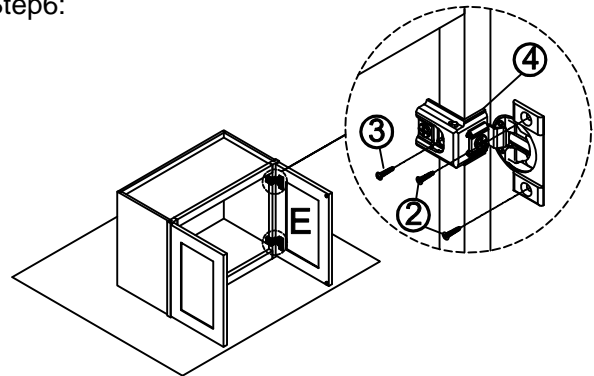
Step4:



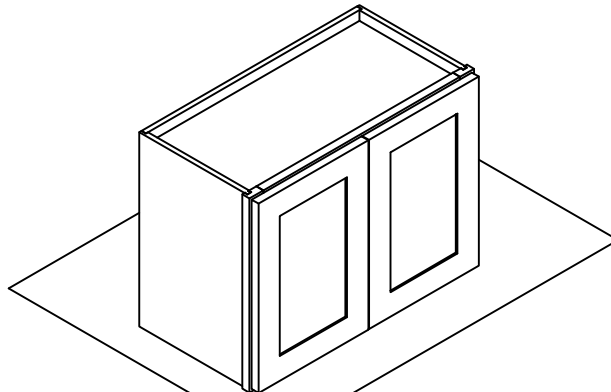
Step5:



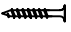





Step6:



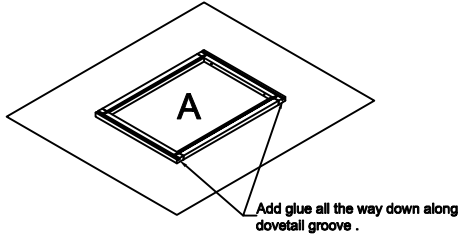
Step7:



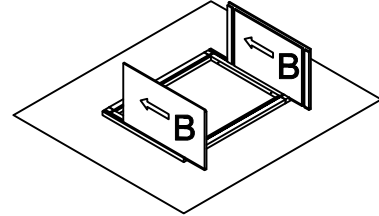
Wall Cabinet Assembly Instruction (Item:W3012-W3612 / W3015-W3615 / W3018-W3618/W3021-W3621)

Hard Ware List	1 4PCS Ø4×25mm	2 8PCS Ø4×16mm	3 4PCS Ø4×19mm	4 4PCS 1-1/4"	5 32PCS Ø4×12mm	6 8PCS				
	Flat head screw	Flat head screw	Round head screw	Hinge	Flat head screw	Corner brackets				
										
Cabinet Parts List	A	Frame	B	Side panels(2)	C	Top panel & Bottom panel(2)	D	Back panel	E	Door(2)

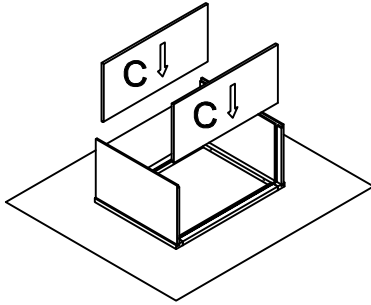
Step1:



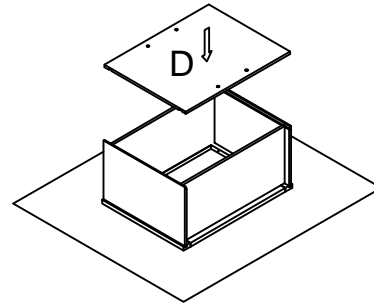
Step2:



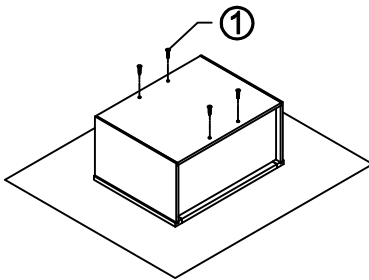
Step3:



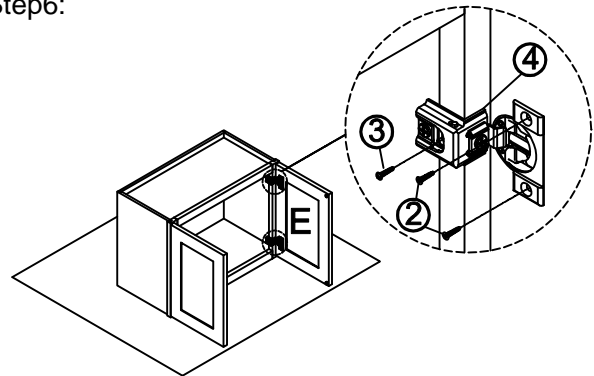
Step4:



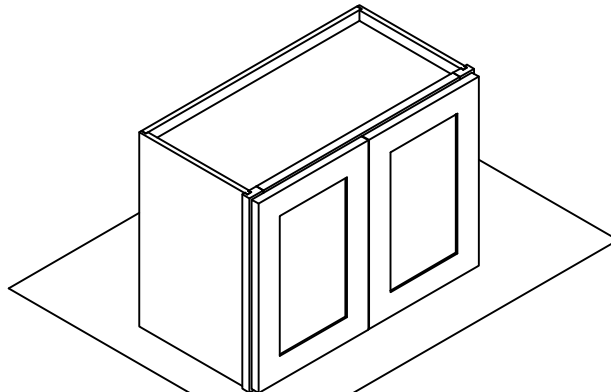
Step5:



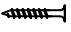






Step6:



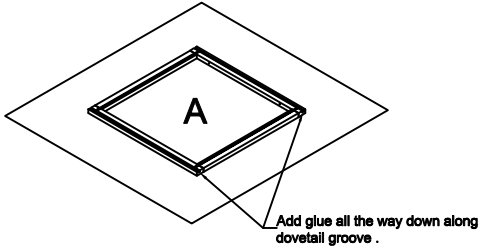
Step7:



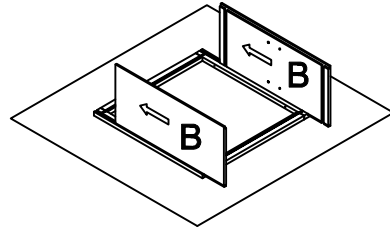
Wall Cabinet Assembly Instruction (Item: W3024, W3624)

Hard Ware List	1 4PCS Ø4×25mm	2 8PCS Ø4×16mm	3 4PCS Ø4×19mm	4 4PCS 1-1/4"	5 16PCS Ø4×12mm	6 4PCS	7 4PCS Ø8mm	
	Flat head screw	Flat head screw	Round head screw	Hinge	Flat head screw	Corner brackets	Shelf clips	
								
Cabinet Parts List	A	Frame	B	Side panels(2)	C	Top panel & Bottom panel(2)	D	Back panel
	E	Adjustable shelf			F	Door(2)		

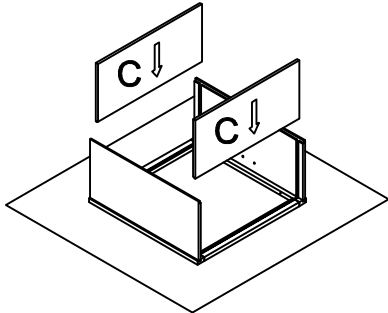
Step1:



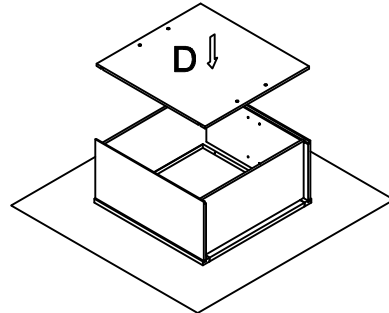
Step2:



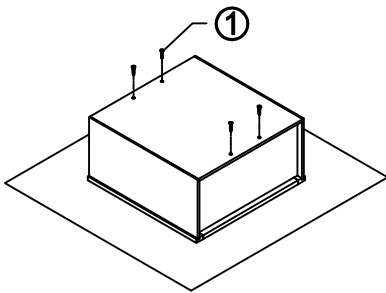
Step3:



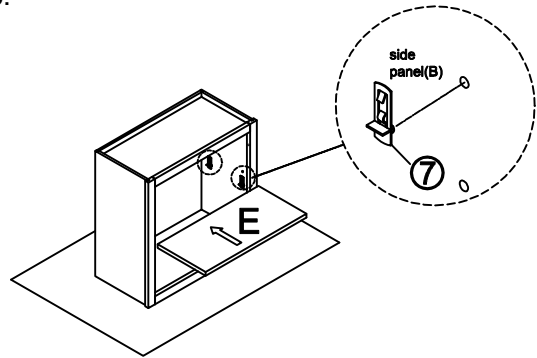
Step4:



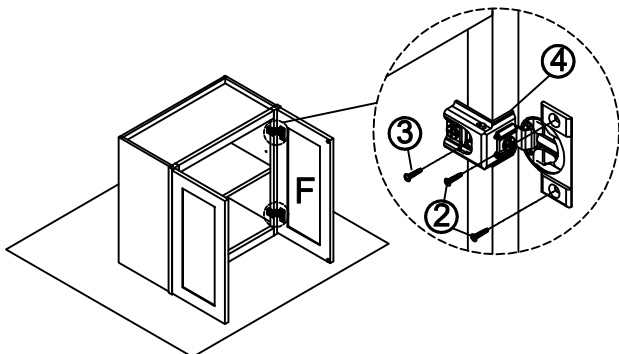
Step5:



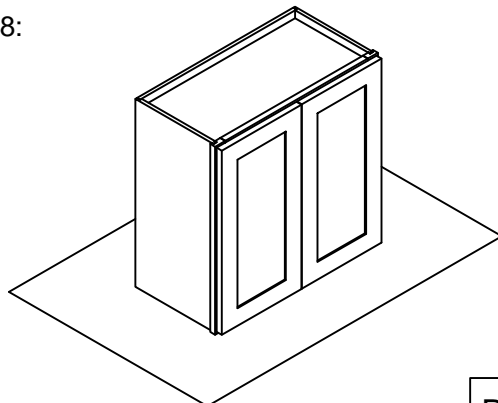
Step6:



Step7:

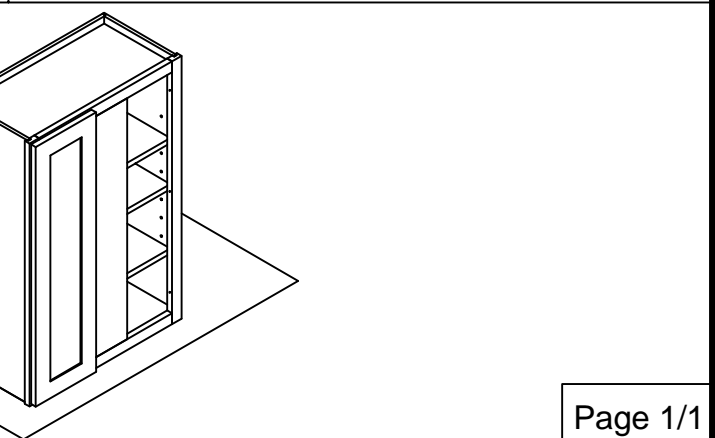
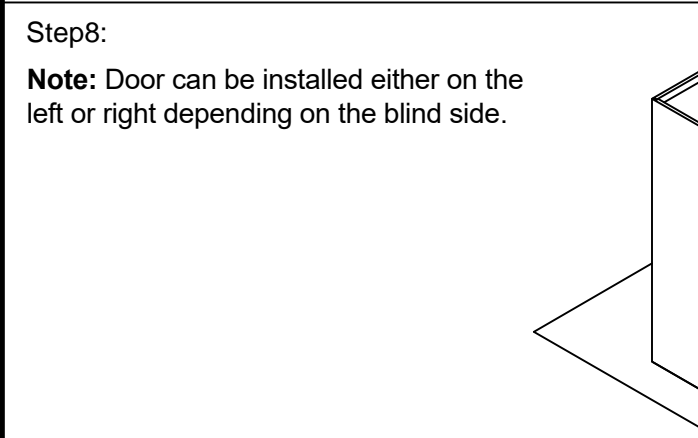
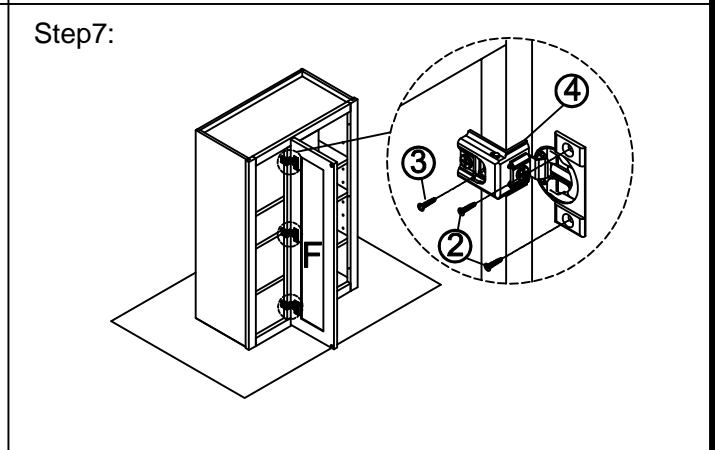
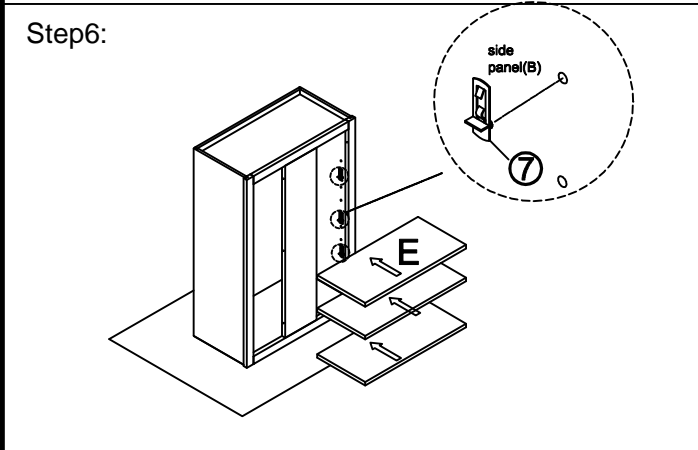
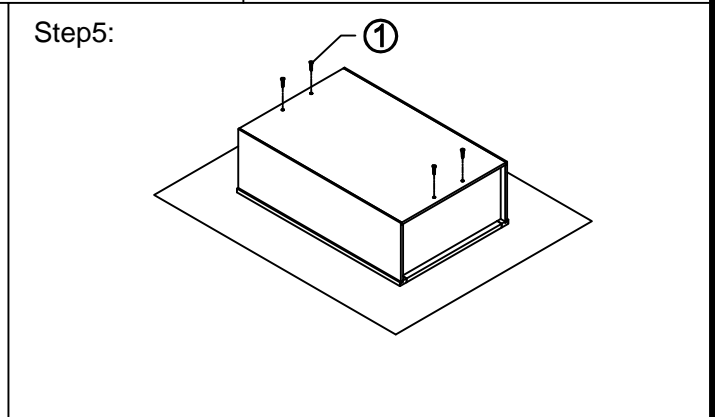
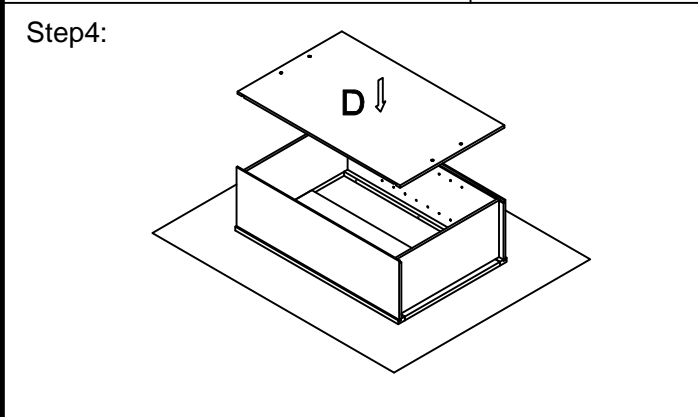
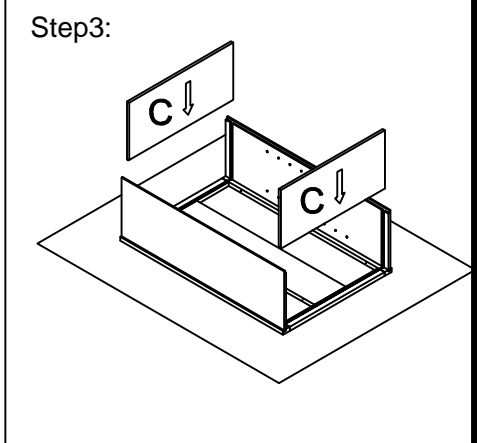
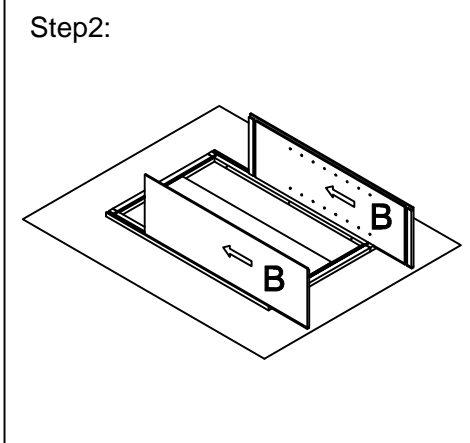
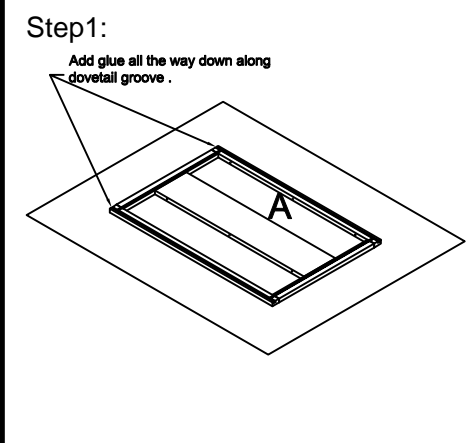


Step8:



Wall Cabinet Assembly Instruction (Item: WBC2742)

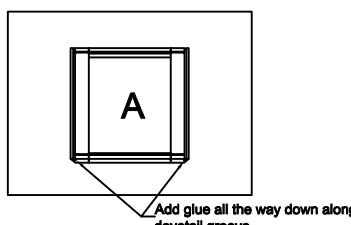
Hard Ware List	1 4PCS Ø4×25mm	2 6PCS Ø4×16mm	3 3PCS Ø4×19mm	4 3PCS 1-1/4"	5 32PCS Ø4×12mm	6 8PCS	7 12PCS Ø8mm	
	Flat head screw	Flat head screw	Round head screw	Hinge	Flat head screw	Corner brackets	Shelf clips	
Cabinet Parts List	A	Frame	B	Side panels(2)	C	Top panel & Bottom panel(2)	D	Back panel
	E	Adjustable shelf(3)			F	Door		



Diagonal Corner Wall Cabinet Assembly Instruction (Item:WDC2430/WDC2436)

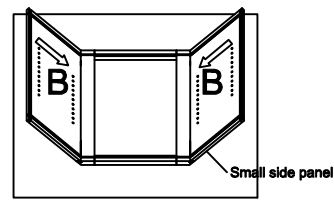
Hard Ware List	1 10PCS Ø4×25mm	2 4PCS Ø4×16mm	3 2PCS Ø4×19mm	4 2PCS 1/2"	5 48PCS Ø4×12mm	6 4PCS	6 8PCS	7 16PCS Ø8mm	
	Flat head screw	Flat head screw	Round head screw	Hinge	Flat head screw	Corner brackets	Corner brackets	Shelf clips	
Cabinet Parts List	A	Frame	B	Side panels(4)	C	Top panel & Bottom panel(2)		D	Back panel
	E	Adjustable shelf(2)			F	Door			

Step1:



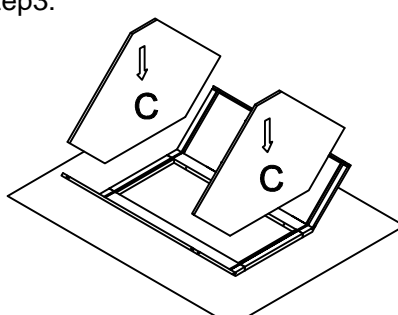
Add glue all the way down along dovetail groove .

Step2:

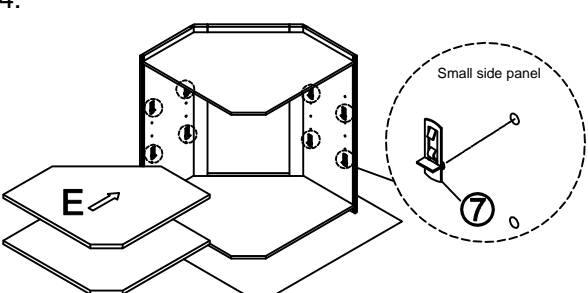


Small side panel

Step3:



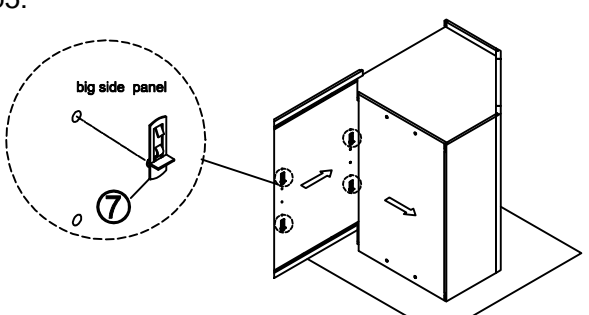
Step4:



Small side panel

7

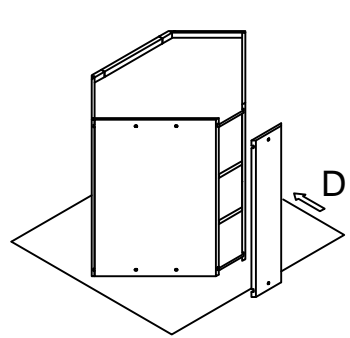
Step5:



big side panel

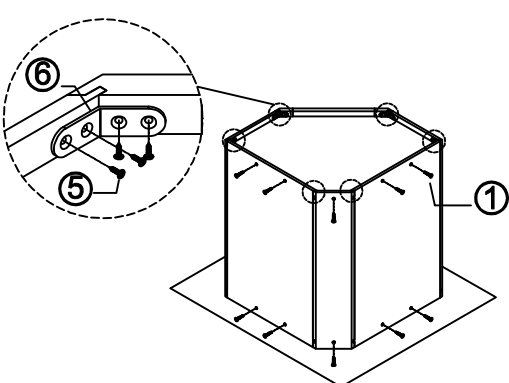
7

Step6:



D

Step7:

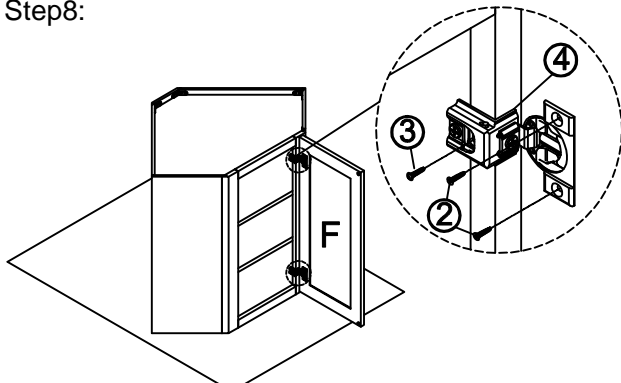


6

5

1

Step8:



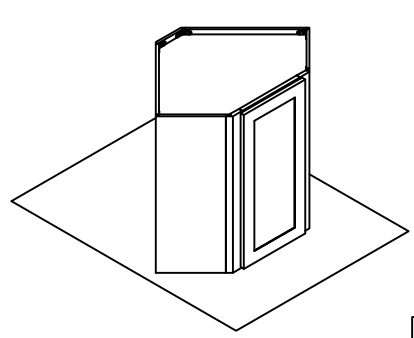
3

2

4

F

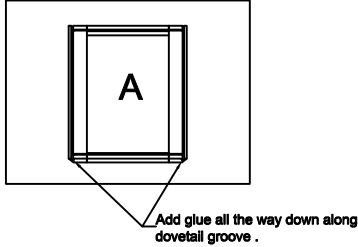
Step9:



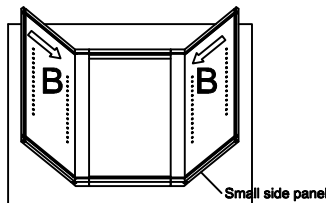
Diagonal Corner Wall Cabinet Assembly Instruction (Item:WDC2442)

Hard Ware List	1 10PCS Ø4×25mm	2 6PCS Ø4×16mm	3 3PCS Ø4×19mm	4 3PCS 1/2"	5 48PCS Ø4×12mm	6 4PCS	6 8PCS	7 24PCS Ø8mm	
	Flat head screw	Flat head screw	Round head screw	Hinge	Flat head screw	Corner brackets	Corner brackets	Shelf clips	
Cabinet Parts List	A	Frame	B	Side panels(4)	C	Top panel & Bottom panel(2)		D	Back panel
	E	Adjustable shelf(3)			F	Door			

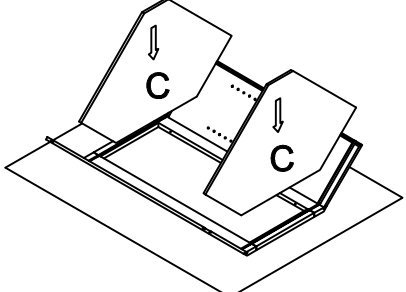
Step1:



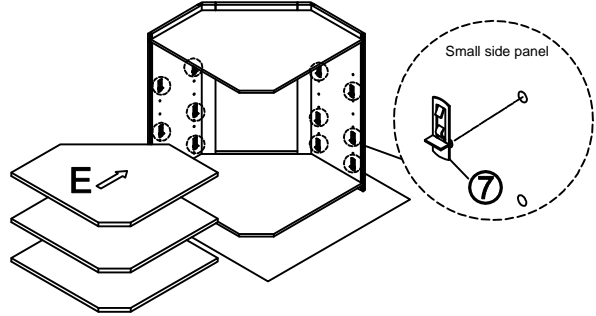
Step2:



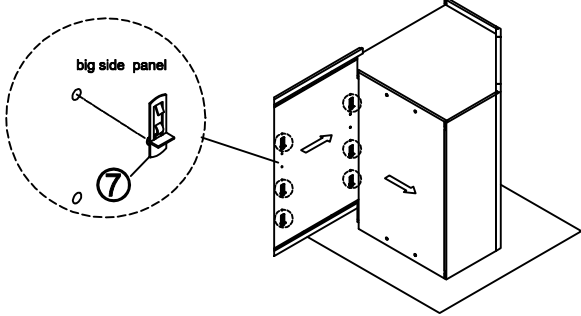
Step3:



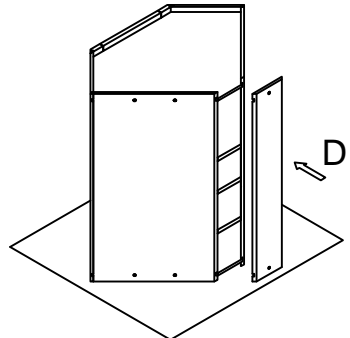
Step4:



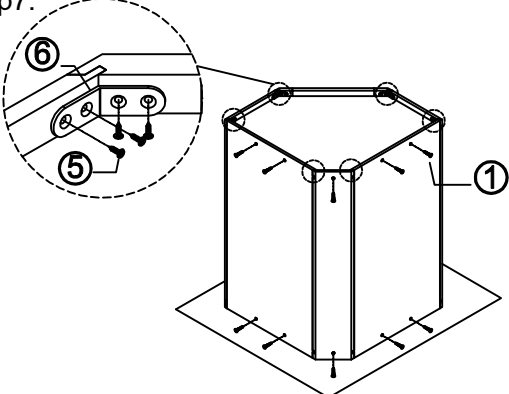
Step5:



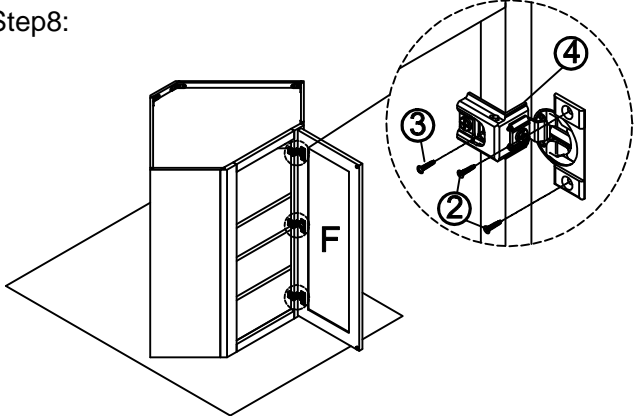
Step6:



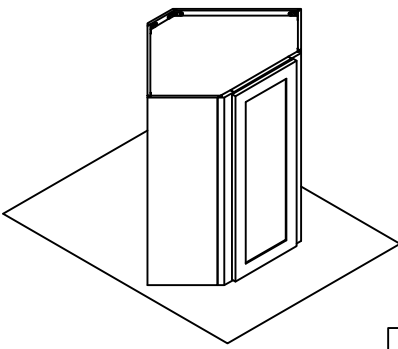
Step7:



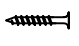





Step8:



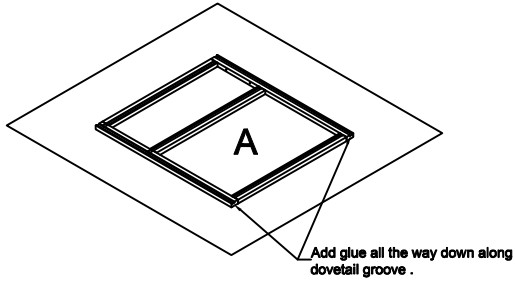
Step9:



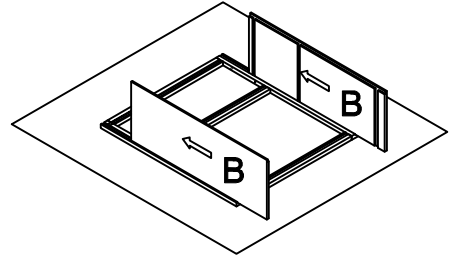
Wall Cabinet Assembly Instruction (Item:WMC2730/WMC2736/WMC2742)

Hard Ware List	1 6PCS Ø4×25mm	2 8PCS Ø4×16mm	3 4PCS Ø4×19mm	4 4PCS 1-1/4"	5 16PCS Ø4×12mm	6 4PCS						
	Flat head screw	Flat head screw	Round head screw	Hinge	Flat head screw	Corner brackets						
												
Cabinet Parts List	A	Frame	B	Side panels(2)	C	Top panel	D	Fixed shelf	E	Bottom panel	G	Door(2)
											F	Back panel

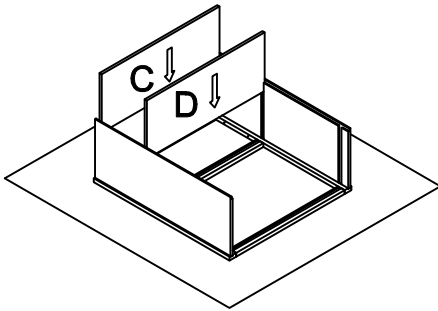
Step1:



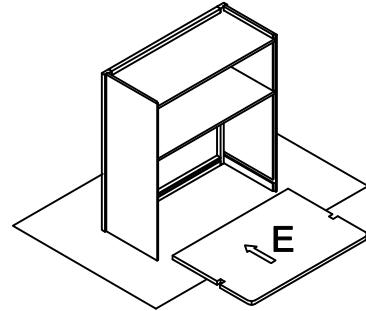
Step2:



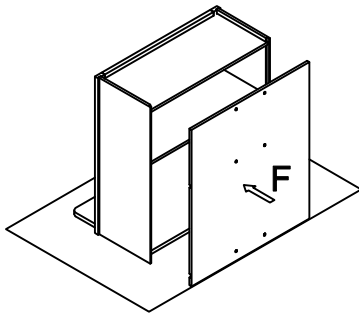
Step3:



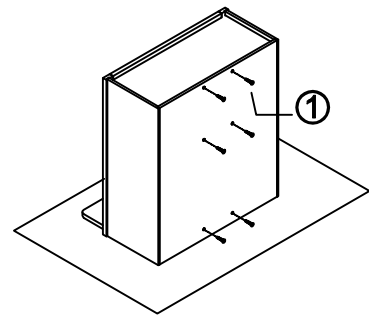
Step4:



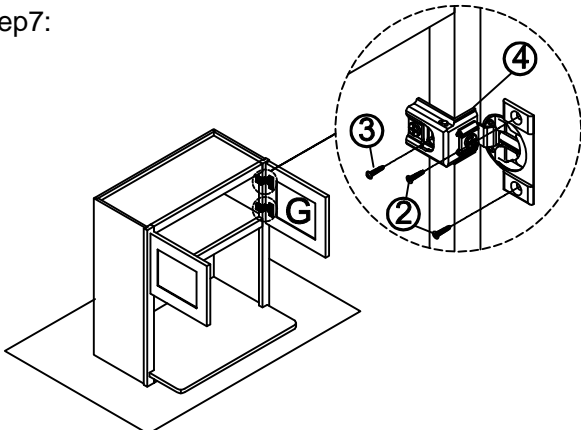
Step5:



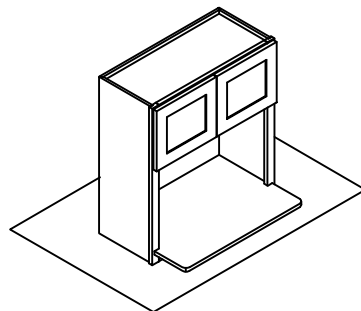
Step5:



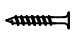






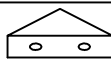
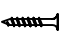
Step7:

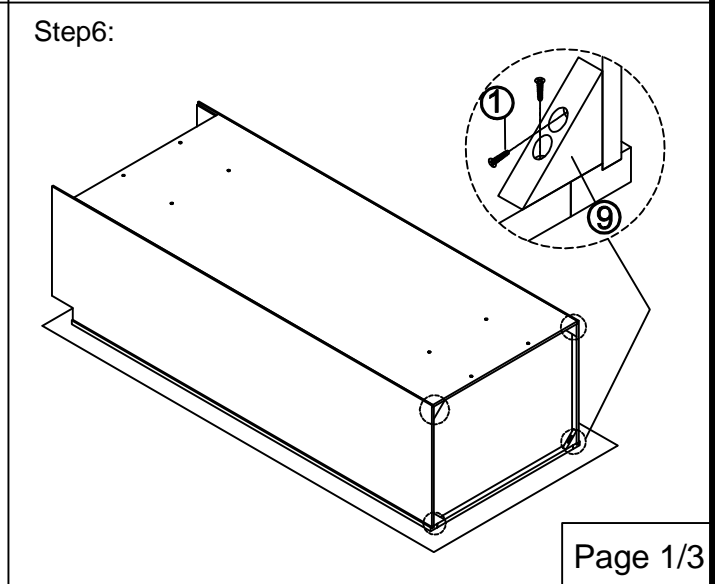
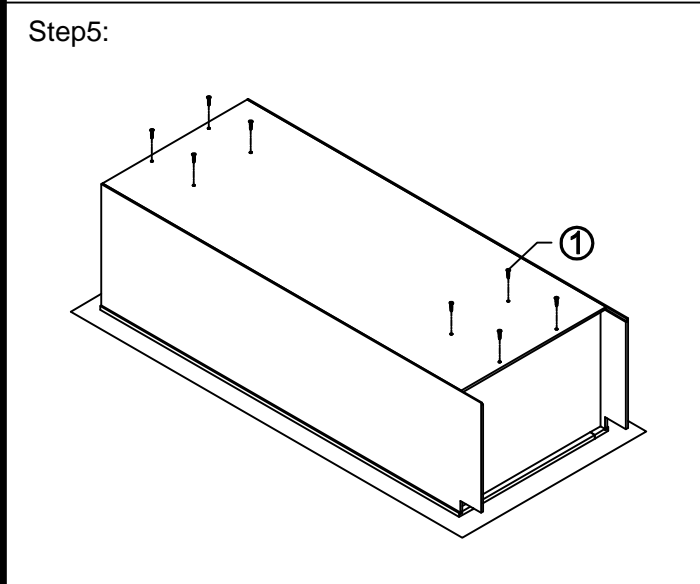
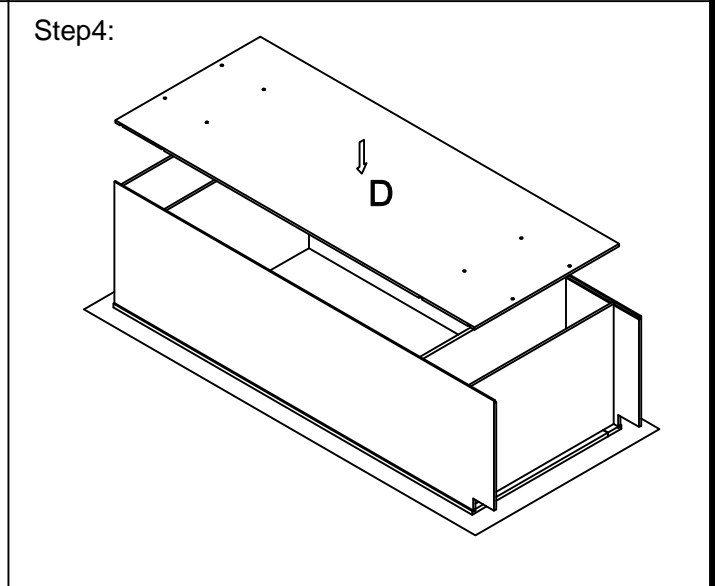
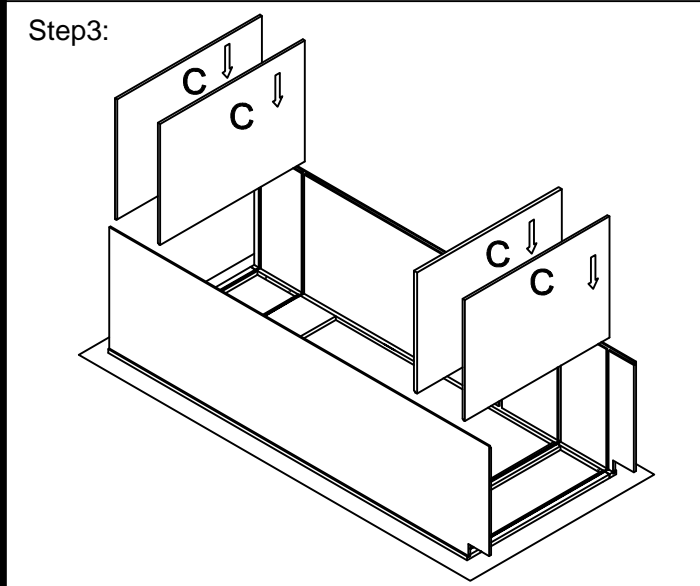
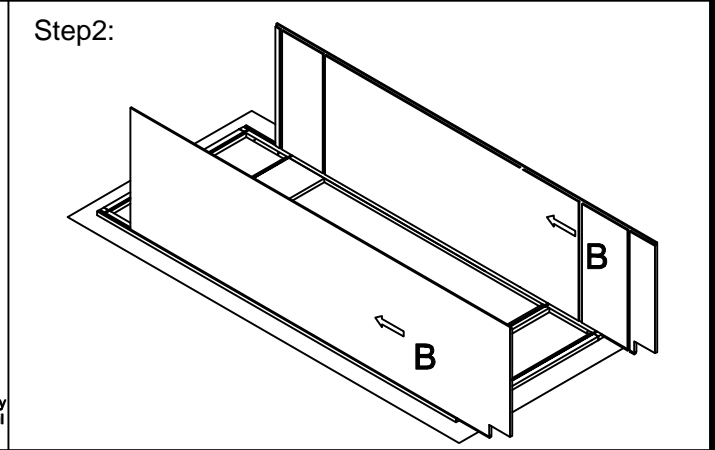
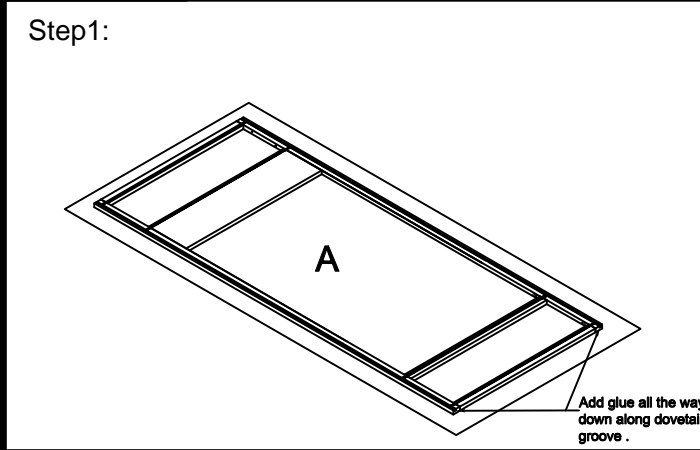


Step8:

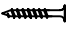






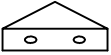
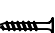


Oven Cabinet Assembly Instruction (Item:OC3184)

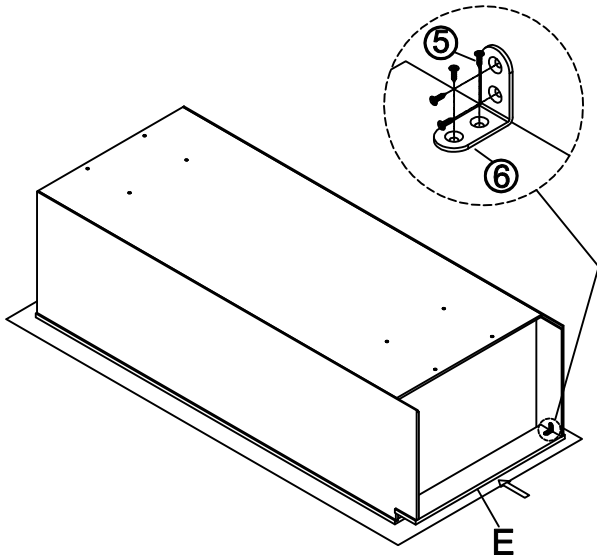
Hard Ware List	1 16PCS Ø4×25mm	2 8PCS Ø4×16mm	3 4PCS Ø4×19mm	4 4PCS 1-1/4"	5 16PCS Ø4×12mm	6 4PCS	8 1SET				
	Flat head screw	Flat head screw	Round head screw	Hinge	Flat head screw	Corner brackets	Slide				
											
	9 4PCS 60°60°18										
	Corner block	10 6PCS Ø4×22mm									
		Flat head screw									
											
Cabinet Parts List	A	Frame	B	Side panels(2)	C	Top panel & Bottom panel(4)		D	Back panel	E	Toe kick
	G	Door(2)	H	Drawer front(1)	I	Drawer front panel(1)	J	Drawer back panel(1)	K	Drawer side panel(2)	L



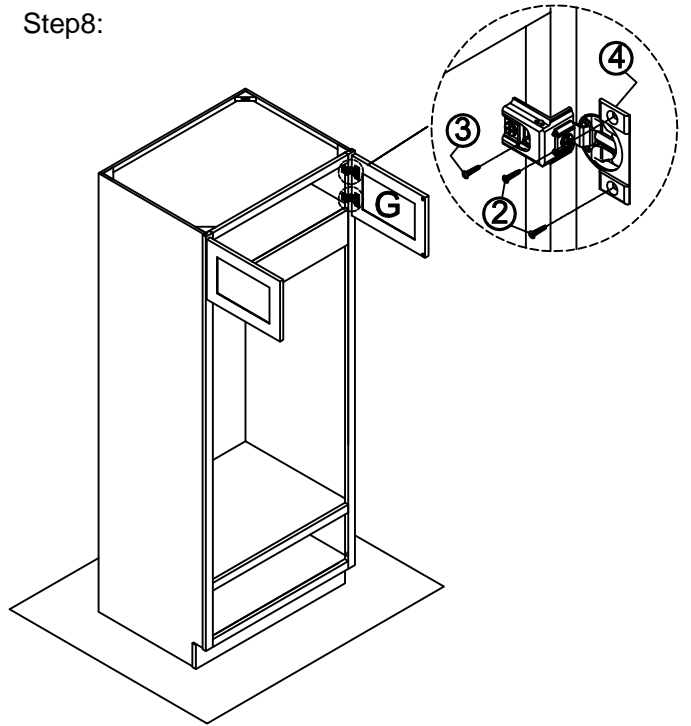
Oven Cabinet Assembly Instruction (Item:OC3184)

Hard Ware List	1 16PCS Ø4×25mm	2 8PCS Ø4×16mm	3 4PCS Ø4×19mm	4 4PCS 1-1/4"	5 16PCS Ø4×12mm	6 4PCS	8 1SET				
	Flat head screw	Flat head screw	Round head screw	Hinge	Flat head screw	Corner brackets	Slide				
											
Cabinet Parts List	9 4PCS 60°60°18	10 6PCS Ø4×22mm									
	Corner block	Flat head screw									
											
A	Frame	B	Side panels(2)	C	Top panel & Bottom panel(4)		D	Back panel	E	Toe kick	
G	Door(2)	H	Drawer front(1)	I	Drawer front panel(1)	J	Drawer back panel(1)	K	Drawer side panel(2)	L	Drawer bottom panel(1)

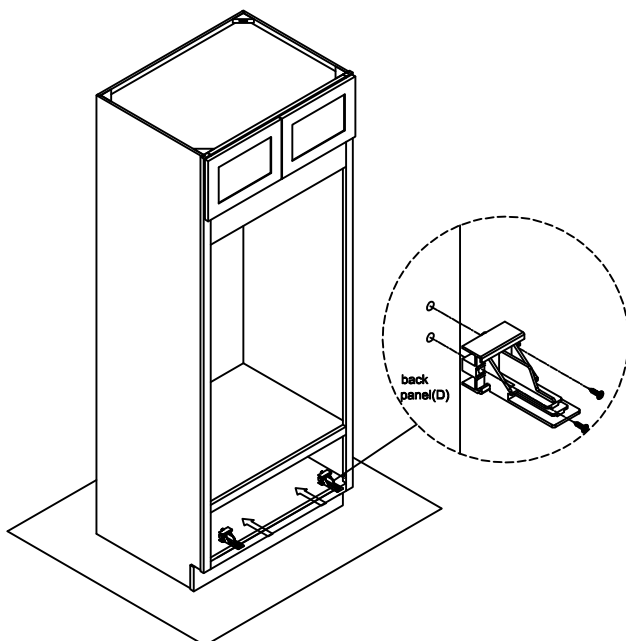
Step7:



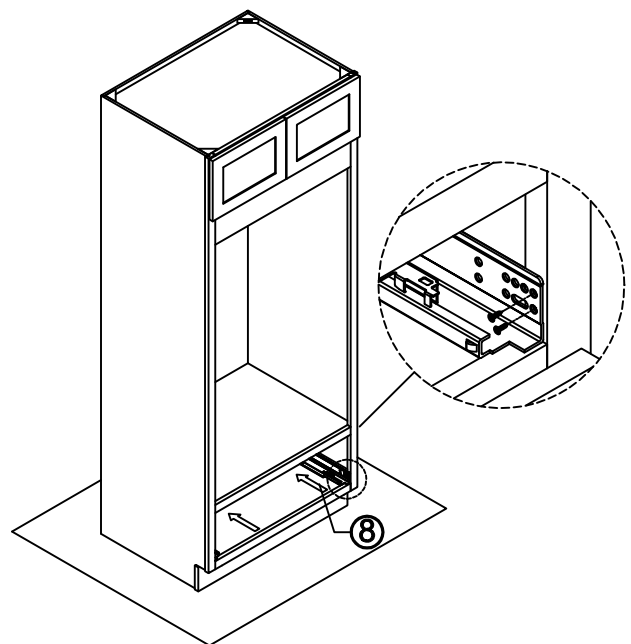
Step8:



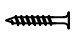






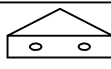
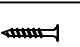
Step9:



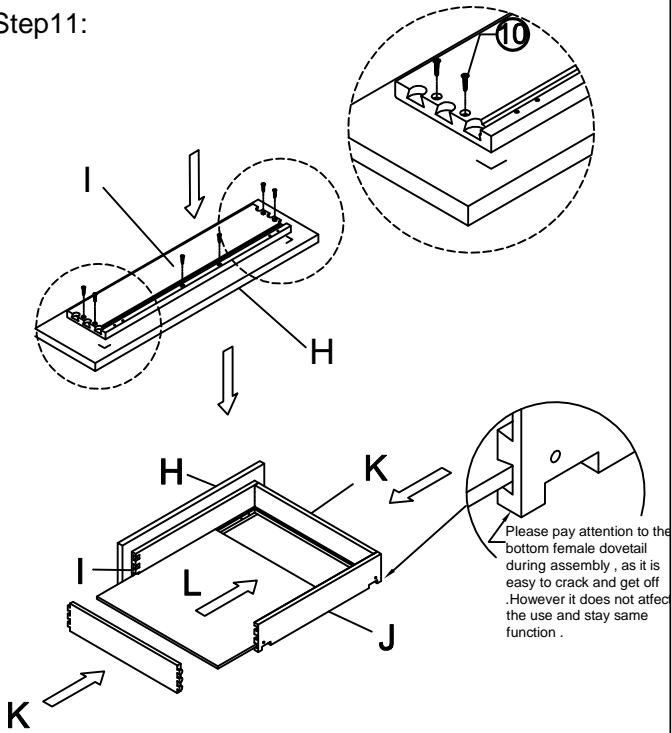
Step10:



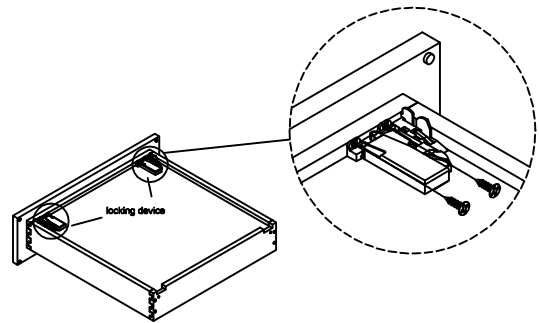
Oven Cabinet Assembly Instruction (Item:OC3184)

Hard Ware List	1 16PCS Ø4×25mm	2 8PCS Ø4×16mm	3 4PCS Ø4×19mm	4 4PCS 1-1/4"	5 16PCS Ø4×12mm	6 4PCS	8 1SET				
	Flat head screw	Flat head screw	Round head screw	Hinge	Flat head screw	Corner brackets	Slide				
											
	9 4PCS 60°60°18	10 6PCS Ø4×22mm									
	Corner block	Flat head screw									
											
Cabinet Parts List	A	Frame	B	Side panels(2)	C	Top panel & Bottom panel(4)	D	Back panel	E	Toe kick	
	G	Door(2)	H	Drawer front(1)	I	Drawer front panel(1)	J	Drawer back panel(1)	K	Drawer side panel(2)	
										L	Drawer bottom panel (1)

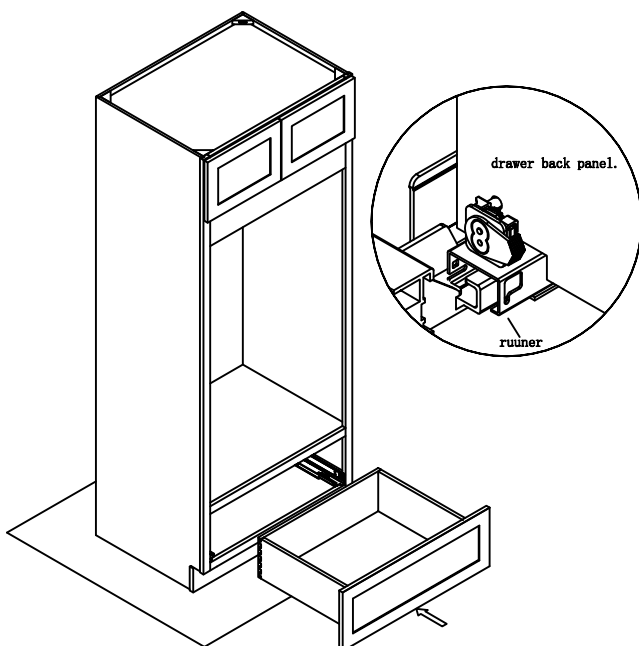
Step11:



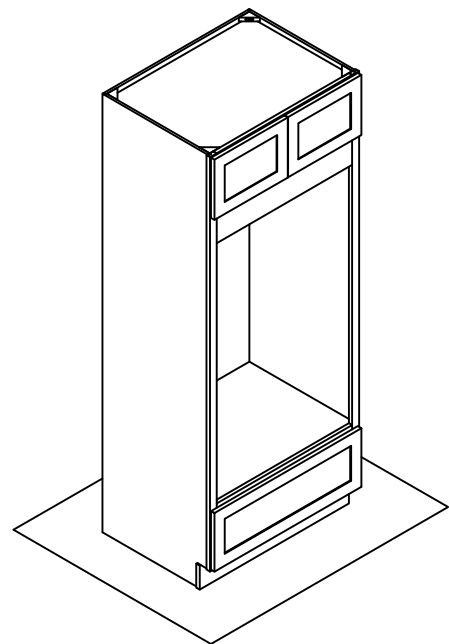
Step12:



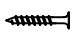








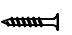
Step13:



Step14:

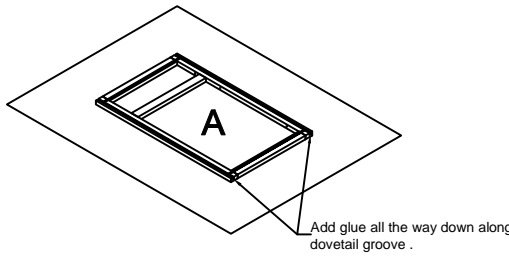


Base Cabinet Assembly Instruction (Item: B09-B21)

Hard Ware List	1 10PCS Ø4×25mm	2 4PCS Ø4×16mm	3 2PCS Ø4×19mm	4 2PCS 1-1/4"	5 32PCS Ø4×12mm	6 8PCS	7 4PCS Ø8mm	8 1SET
	Flat head screw	Flat head screw	Round head screw	Hinge	Flat head screw	Corner brackets	Shelf clips	Side
								
9 4PCS 60°60°18	10 6PCS Ø4×22mm							
Corner block	Flat head screw							
								

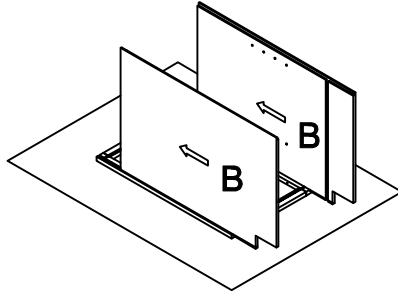
Cabinet Parts List	A	Frame	B	Side panels(2)	C	Bottom panel	D	Back panel	E	Toe kick	F	Adjustable shelf
	G	Door	H	Drawer front	I	Drawer front panel	J	Drawer back panel	K	Drawer side panel(2)	L	Drawer bottom panel

Step1:

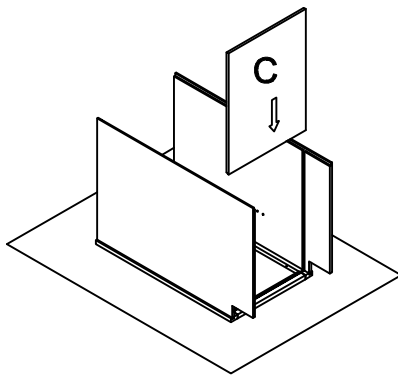


Add glue all the way down along dovetail groove .

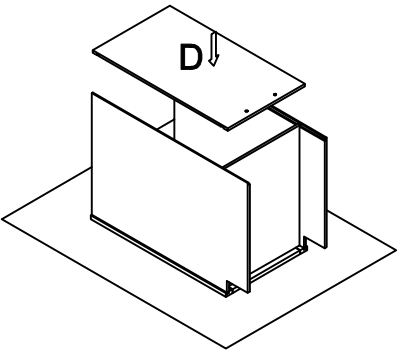
Step2:



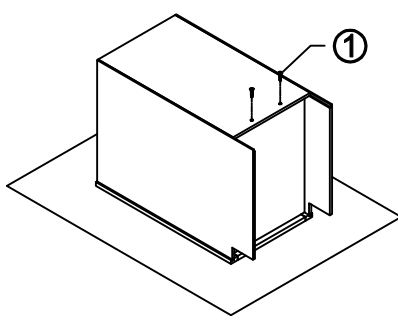
Step3:



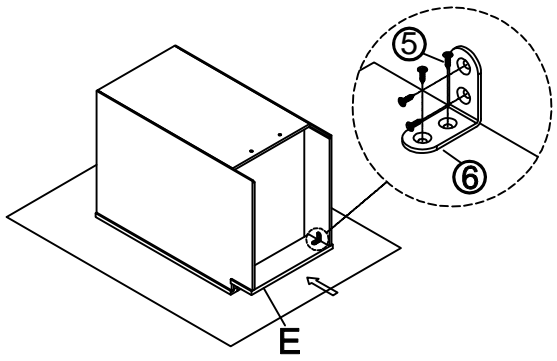
Step4:



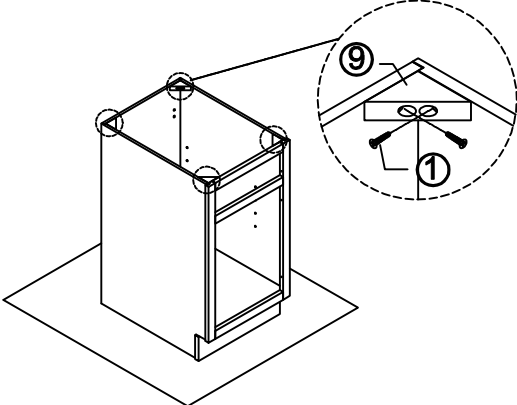
Step5:



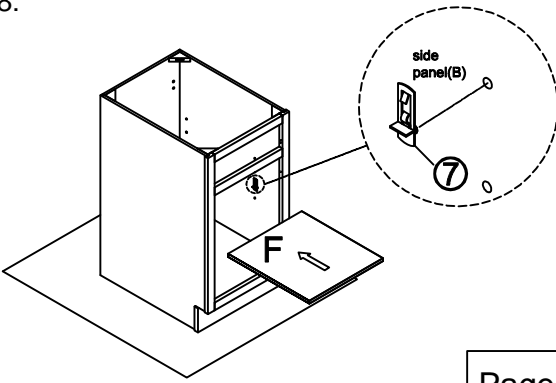
Step6:



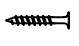








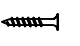
Step7:



Step8:



Base Cabinet Assembly Instruction (Item: B09-B21)

Hard Ware List	1 10PCS Ø4×25mm	2 4PCS Ø4×16mm	3 2PCS Ø4×19mm	4 2PCS 1-1/4"	5 16PCS Ø4×12mm	6 4PCS	7 4PCS Ø8mm	8 1SET
	Flat head screw	Flat head screw	Round head screw	Hinge	Flat head screw	Corner brackets	Shelf clips	Side
								
9 4PCS 60°60°18	10 4PCS Ø4×22mm							
Corner block	Flat head screw							
								

Cabinet Parts List	A	Frame	B	Side panels(2)	C	Bottom panel	D	Back panel	E	Toe kick	F	Adjustable shelf
	G	Door	H	Drawer front	I	Drawer front panel	J	Drawer back panel	K	Drawer side panel(2)	L	Drawer bottom panel

